

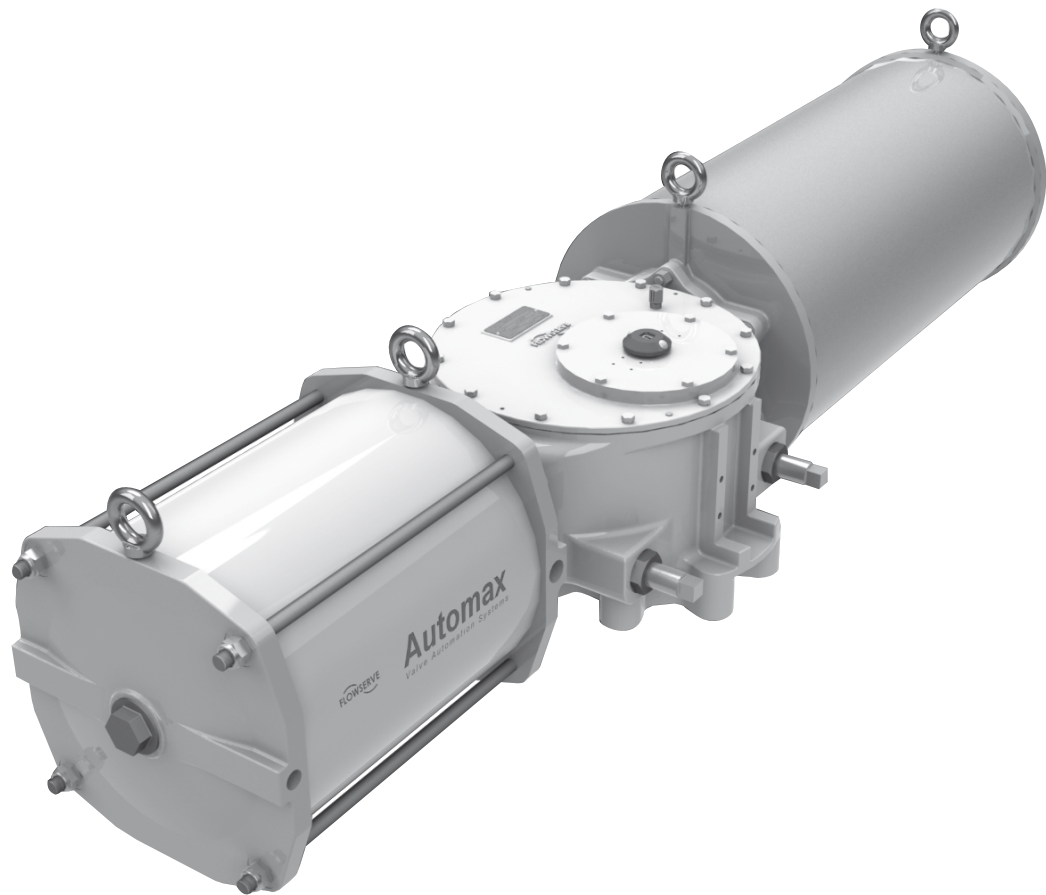


SPRING AND PRESSURE TORQUE CHART

RG Actuator Series Torque Chart Supplement

SR-SO and DA-DR

FCD AXENTL00XX-00 06/09



Experience In Motion

INDEX

Actuator series	Page
SR - SO symmetrical yoke	3
DA - DR symmetrical yoke	17
SR - SO canted yoke	20
DA - DR canted yoke	31

Actuator Model	Spring Torque in-Lb		Operating Pressure, psig							
			40	50	60	70	80	100	125	150
			Torque Output, in-Lbs							
RG106 SR 1	Start	6181				3383	4402	6439	8986	11533
	Min	2774				1211	1780	2919	4342	5765
	End	3747				950	1969	4006	6553	9100
RG106 SR 2	Start	6379					3511	5549	8095	10642
	Min	3078					1476	2614	4037	5460
	End	4638					1770	3807	6354	8901
RG106 SR 3	Start	7565						4477	7024	9571
	Min	3709						1984	3407	4830
	End	5709						2622	5169	7715
RG106 SR 4	Start	8831							6310	8857
	Min	4262							2853	4277
	End	6424							3902	6449
RG106 SR 5	Start	9902							5596	8142
	Min	4761							2355	3778
	End	7138							2831	5378
RG106 SR 6	Start	12560								6895
	Min	5852								2686
	End	8386								2720
RG107 SR 1	Start	6181			4620	6014	7409	10198	13684	17170
	Min	2774			1902	2681	3460	5019	6967	8915
	End	3747			2187	3581	4976	7765	11251	14737
RG107 SR 2	Start	6379			3729	5123	6518	9307	12793	16280
	Min	3078			1597	2377	3156	4714	6663	8611
	End	4638			1988	3382	4777	7566	11052	14538
RG107 SR 3	Start	7565				4052	5447	8236	11722	15208
	Min	3709				1746	2525	4084	6032	7980
	End	5709				2197	3591	6381	9867	13353
RG107 SR 4	Start	8831					4733	7522	11008	14494
	Min	4262					1972	3531	5479	7427
	End	6424					2325	5114	8601	12087
RG107 SR 5	Start	9902						6808	10294	13780
	Min	4761						3032	4980	6928
	End	7138						4043	7529	11016
RG107 SR 6	Start	12560							9046	12532
	Min	5852							3889	5837
	End	8386							4872	8358
RG107 SR 7	Start	13745							7975	11461
	Min	6483							3258	5206
	End	9457							3686	7173
RG107 SR 8	Start	15012								10747
	Min	7036								4653
	End	10171								5906
RG108 SR 1	Start	6181	3565	5394	7222	9050	10878	14535		
	Min	2774	1313	2334	3356	4377	5399	7442		
	End	3747	1132	2960	4789	6617	8445	12101		
RG108 SR 2	Start	6379		4503	6331	8159	9987	13644		
	Min	3078		2030	3051	4073	5095	7138		
	End	4638		2762	4590	6418	8246	11903		
RG108 SR 3	Start	7565		3432	5260	7088	8916	12572	17143	
	Min	3709		1399	2421	3443	4464	6507	9062	
	End	5709		1576	3404	5233	7061	10717	15288	
RG108 SR 4	Start	8831			4546	6374	8202	11858	16429	
	Min	4262			1868	2889	3911	5954	8508	
	End	6424			2138	3966	5795	9451	14021	
RG108 SR 5	Start	9902				5660	7488	11144	15715	
	Min	4761				2390	3412	5455	8009	
	End	7138				2895	4723	8380	12950	
RG108 SR 6	Start	12560						9896	14467	
	Min	5852						4364	6918	
	End	8386						5722	10292	
RG108 SR 7	Start	13745						8825	13396	
	Min	6483						3733	6288	
	End	9457						4537	9107	
RG108 SR 8	Start	15012						8111	12681	17252
	Min	7036						3180	5734	8288
	End	10171						3270	7841	12411

Spring Return Symmetrical Yoke SR - SO

Spring Return Symmetrical Yoke SR - SO

Actuator Model	Spring Torque in-Lb		Operating Pressure, psig							
			40	50	60	70	80	100	125	150
			Torque Output, in-Lbs							
RG109 SR 1	Start	6181	5531	7851	10171	12490	14810			
	Min	2774	2411	3707	5004	6300	7596			
	End	3747	3098	5418	7738	10057	12377			
RG109 SR 2	Start	6379	4641	6960	9280	11600	13919			
	Min	3078	2107	3403	4699	5996	7292			
	End	4638	2899	5219	7539	9858	12178			
RG109 SR 3	Start	7565	3569	5889	8209	10528	12848	17487		
	Min	3709	1476	2773	4069	5365	6661	9254		
	End	5709	1714	4034	6353	8673	10993	15632		
RG109 SR 4	Start	8831		5175	7495	9814	12134	16773		
	Min	4262		2219	3515	4812	6108	8701		
	End	6424		2767	5087	7407	9726	14366		
RG109 SR 5	Start	9902		4461	6780	9100	11420	16059		
	Min	4761		1720	3017	4313	5609	8202		
	End	7138		1696	4016	6336	8655	13295		
RG109 SR 6	Start	12560				7852	10172	14811		
	Min	5852				3222	4518	7111		
	End	8386				3678	5998	10637		
RG109 SR 7	Start	13745				6781	9101	13740		
	Min	6483				2591	3887	6480		
	End	9457				2493	4812	9452		
RG109 SR 8	Start	15012					8387	13026		
	Min	7036					3334	5927		
	End	10171					3546	8185		
RG110 SR 1	Start	6181	7729	10598	13467	16336				
	Min	2774	3639	5242	6846	8449				
	End	3747	5295	8164	11033	13902				
RG110 SR 2	Start	6379	6838	9707	12576	15445				
	Min	3078	3335	4938	6541	8144				
	End	4638	5097	7966	10835	13704				
RG110 SR 3	Start	7565	5767	8636	11505	14374	17243			
	Min	3709	2704	4307	5911	7514	9117			
	End	5709	3911	6780	9649	12518	15387			
RG110 SR 4	Start	8831	5052	7921	10790	13659	16528			
	Min	4262	2151	3754	5357	6961	8564			
	End	6424	2645	5514	8383	11252	14121			
RG110 SR 5	Start	9902		7207	10076	12945	15814			
	Min	4761		3255	4858	6462	8065			
	End	7138		4443	7312	10181	13050			
RG110 SR 6	Start	12560			8828	11697	14566			
	Min	5852			3767	5370	6974			
	End	8386			4654	7523	10392			
RG110 SR 7	Start	13745			7757	10626	13495			
	Min	6483			3137	4740	6343			
	End	9457			3469	6338	9207			
RG110 SR 8	Start	15012				9912	12781			
	Min	7036				4187	5790			
	End	10171				5071	7940			
RG112 SR 1	Start	6181	12817	16958						
	Min	2774	6483	8797						
	End	3747	10384	14525						
RG112 SR 2	Start	6379	11926	16067						
	Min	3078	6178	8492						
	End	4638	10185	14326						
RG112 SR 3	Start	7565	10855	14996						
	Min	3709	5548	7862						
	End	5709	9000	13141						
RG112 SR 4	Start	8831	10141	14282						
	Min	4262	4994	7308						
	End	6424	7733	11875						
RG112 SR 5	Start	9902	9427	13568	17709					
	Min	4761	4495	6810	9124					
	End	7138	6662	10803	14944					
RG112 SR 6	Start	12560	8179	12320	16461					
	Min	5852	3404	5718	8032					
	End	8386	4004	8146	12287					
RG112 SR 7	Start	13745	7108	11249	15390					
	Min	6483	2774	5088	7402					
	End	9457	2819	6960	11101					
RG112 SR 8	Start	15012		10535	14676					
	Min	7036		4534	6849					
	End	10171		5694	9835					

Actuator Model	Spring Torque in-Lb		Operating Pressure, psig							
			40	50	60	70	80	100	125	150
			Torque Output, in-Lbs							
RG208 SR 1	Start	11937				7242	9394	13699	19081	24462
	Min	5522				2898	4101	6507	9514	12521
	End	7826				3131	5283	9588	14970	20351
RG208 SR 2	Start	13073					7258	11563	16945	22326
	Min	6436					3187	5593	8600	11607
	End	9962					4148	8453	13834	19216
RG208 SR 3	Start	15165						10498	15879	21260
	Min	7319						4710	7718	10725
	End	11028						6360	11742	17123
RG208 SR 4	Start	18929							13386	18768
	Min	9067							5970	8977
	End	13521							7979	13360
RG208 SR 5	Start	22413							10898	16279
	Min	10736							4301	7308
	End	16009							4494	9875
RG208 SR 6	Start	25010								14500
	Min	11959								6085
	End	17789								7278
RG208 SR 7	Start	27103								13434
	Min	12841								5203
	End	18855								5186
RG208 SR 8	Start	30866								
	Min	14589								
	End	21347								
RG209 SR 1	Start	11937			8574	11308	14041	19508	26342	33175
	Min	5522			3643	5170	6698	9753	13572	17390
	End	7826			4463	7197	9930	15397	22230	29064
RG209 SR 2	Start	13073			6438	9172	11905	17372	24206	31039
	Min	6436			2729	4256	5784	8839	12657	16476
	End	9962			3328	6061	8795	14261	21095	27929
RG209 SR 3	Start	15165				8106	10839	16306	23140	29973
	Min	7319				3374	4901	7956	11775	15594
	End	11028				3969	6702	12169	19002	25836
RG209 SR 4	Start	18929					8346	13813	20647	27480
	Min	9067					3153	6208	10027	13846
	End	13521					2939	8406	15239	22073
RG209 SR 5	Start	22413						11325	18158	24992
	Min	10736						4539	8358	12177
	End	16009						4921	11755	18588
RG209 SR 6	Start	25010							16379	23213
	Min	11959							7135	10954
	End	17789							9157	15991
RG209 SR 7	Start	27103							15313	22147
	Min	12841							6253	10072
	End	18855							7065	13899
RG209 SR 8	Start	30866								19654
	Min	14589								8324
	End	21347								10135
RG210 SR 1	Start	11937		9087	12469	15852	19235	26000	34456	
	Min	5522		3929	5819	7710	9600	13381	18106	
	End	7826		4976	8358	11741	15124	21889	30345	
RG210 SR 2	Start	13073			10333	13716	17099	23864	32320	
	Min	6436			4905	6796	8686	12467	17192	
	End	9962			7223	10605	13988	20753	29210	
RG210 SR 3	Start	15165			9267	12650	16033	22798	31255	
	Min	7319			4023	5913	7803	11584	16310	
	End	11028			5130	8513	11896	18661	27117	
RG210 SR 4	Start	18929				10157	13540	20305	28762	
	Min	9067				4165	6056	9836	14562	
	End	13521				4750	8132	14898	23354	
RG210 SR 5	Start	22413					11052	17817	26273	34730
	Min	10736					4387	8167	12893	17619
	End	16009					4648	11413	19870	28326
RG210 SR 6	Start	25010						16037	24494	32951
	Min	11959						6944	11670	16396
	End	17789						8816	17272	25729
RG210 SR 7	Start	27103						14972	23428	31885
	Min	12841						6062	10788	15513
	End	18855						6723	15180	23636
RG210 SR 8	Start	30866							20935	29392
	Min	14589							9040	13765
	End	21347							11417	19873

Spring Return Symmetrical Yoke SR - SO

Spring Return Symmetrical Yoke SR - SO

Actuator Model	Spring Torque in-Lb		Operating Pressure, psig							
			40	50	60	70	80	100	125	150
			Torque Output, in-Lbs							
RG212 SR 1	Start	11937	11718	16604	21490	26376	31262			
	Min	5522	5399	8130	10860	13591	16321			
	End	7826	7607	12493	17379	22265	27151			
RG212 SR 2	Start	13073	9582	14468	19354	24240	29126			
	Min	6436	4485	7216	9946	12677	15407			
	End	9962	6471	11357	16243	21129	26015			
RG212 SR 3	Start	15165	8516	13402	18288	23174	28060			
	Min	7319	3603	6333	9064	11794	14525			
	End	11028	4379	9265	14151	19037	23923			
RG212 SR 4	Start	18929		10909	15795	20681	25567	35339		
	Min	9067		4585	7316	10046	12777	18237		
	End	13521		5501	10388	15274	20160	29932		
RG212 SR 5	Start	22413			13307	18193	23079	32851		
	Min	10736			5647	8377	11108	16568		
	End	16009			6903	11789	16675	26447		
RG212 SR 6	Start	25010				16413	21299	31071		
	Min	11959				7154	9885	15346		
	End	17789				9192	14078	23850		
RG212 SR 7	Start	27103				15347	20233	30006		
	Min	12841				6272	9002	14463		
	End	18855				7099	11985	21757		
RG212 SR 8	Start	30866					17741	27513		
	Min	14589					7254	12715		
	End	21347					8222	17994		
RG214 SR 1	Start	11937	18825	25487	32150					
	Min	5522	9371	13094	16818					
	End	7826	14713	21376	28039					
RG214 SR 2	Start	13073	16689	23351	30014					
	Min	6436	8457	12180	15903					
	End	9962	13578	20241	26904					
RG214 SR 3	Start	15165	15623	22285	28948	35611				
	Min	7319	7574	11298	15021	18744				
	End	11028	11485	18148	24811	31474				
RG214 SR 4	Start	18929	13130	19793	26455	33118				
	Min	9067	5826	9550	13273	16996				
	End	13521	7722	14385	21048	27711				
RG214 SR 5	Start	22413	10642	17304	23967	30630				
	Min	10736	4157	7881	11604	15327				
	End	16009	4238	10900	17563	24226				
RG214 SR 6	Start	25010		15525	22188	28850	35513			
	Min	11959		6658	10381	14104	17828			
	End	17789		8303	14966	21629	28292			
RG214 SR 7	Start	27103		14459	21122	27785	34447			
	Min	12841		5775	9499	13222	16945			
	End	18855		6211	12874	19536	26199			
RG214 SR 8	Start	30866			18629	25292	31955	27513		
	Min	14589			7751	11474	15197	22644		
	End	21347			9110	15773	22436	17994		
RG216 SR 1	Start	11937	27025	35738						
	Min	5522	13953	18822						
	End	7826	22914	31627						
RG216 SR 2	Start	13073	24889	33602						
	Min	6436	13039	17908						
	End	9962	21778	30491						
RG216 SR 3	Start	15165	23823	32536						
	Min	7319	12157	17026						
	End	11028	19686	28399						
RG216 SR 4	Start	18929	21330	30043						
	Min	9067	10409	15278						
	End	13521	15923	24636						
RG216 SR 5	Start	22413	18842	27555						
	Min	10736	8740	13609						
	End	16009	12438	21151						
RG216 SR 6	Start	25010	17063	25775	34488					
	Min	11959	7517	12386	17255					
	End	17789	9841	18554	27266					
RG216 SR 7	Start	27103	15997	24709	33422					
	Min	12841	6635	11504	16372					
	End	18855	7748	16461	25174					
RG216 SR 8	Start	30866		22217	30930					
	Min	14589		9756	14625					
	End	21347		12698	21411					

Symmetrical Yoke	Spring Return	SR - SO	Actuator Model	Spring Torque in-Lb	Operating Pressure, psig									
					40	50	60	70	80	100	125	150		
					Torque Output, in-Lbs									
RG310 SR1	Start	22307					12167	16048	23810	33512	43214			
	Min	10424					4757	6926	11263	16685	22107			
	End	14999					4858	8739	16501	26203	35905			
RG310 SR2	Start	27960							18097	27799	37502			
	Min	13599							8088	13510	18931			
	End	20711							10849	20551	30253			
RG310 SR3	Start	33687								24230	33933			
	Min	16197								10912	16334			
	End	24280								14824	24526			
RG310 SR4	Start	40348								19944	29646			
	Min	19256								7853	13275			
	End	28567								8162	17865			
RG310 SR5	Start	46347									26790			
	Min	21730									10801			
	End	31423									11866			
RG312 SR1	Start	22307		13079	18694	24310	29925	41156	55195	69234				
	Min	10424		5267	8405	11543	14681	20957	28802	36648				
	End	14999		5770	11386	17001	22617	33848	47887	61925				
RG312 SR2	Start	27960			12982	18597	24213	35444	49483	63522				
	Min	13599			5229	8367	11506	17782	25627	33472				
	End	20711			5734	11349	16965	28196	42234	56273				
RG312 SR3	Start	33687					20644	31875	45914	59953				
	Min	16197					8908	15184	23029	30875				
	End	24280					11237	22468	36507	50546				
RG312 SR4	Start	40348						27588	41627	55666				
	Min	19256						12125	19970	27816				
	End	28567						15807	29846	43885				
RG312 SR5	Start	46347						24732	38771	52810				
	Min	21730						9651	17496	25342				
	End	31423						9809	23847	37886				
RG312 SR6	Start	50267							34484	48523				
	Min	24023							15203	23048				
	End	35710							19927	33966				
RG312 SR7	Start	55995							30915	44954				
	Min	26621							12606	20451				
	End	39279							14200	28238				
RG314 SR1	Start	22307	15664	23329	30995	38660	46326	61657						
	Min	10424	6711	10995	15279	19562	23846	32413						
	End	14999	8355	16021	23686	31352	39017	54349						
RG314 SR2	Start	27960		17617	25282	32948	40614	55945						
	Min	13599		7819	12103	16387	20671	29238						
	End	20711		10368	18034	25700	33365	48696						
RG314 SR3	Start	33687			21713	29379	37045	52376						
	Min	16197			9506	13789	18073	26640						
	End	24280			12307	19972	27638	42969						
RG314 SR4	Start	40348				25092	32758	48089	67253					
	Min	19256				10730	15014	23581	34291					
	End	28567				13311	20977	36308	55472					
RG314 SR5	Start	46347					29902	45233	64397					
	Min	21730					12540	21107	31817					
	End	31423					14978	30309	49473					
RG314 SR6	Start	50267					25615	40946	60110					
	Min	24023					10247	18814	29523					
	End	35710					11058	26389	45553					
RG314 SR7	Start	55995						37377	56541					
	Min	26621						16217	26926					
	End	39279						20661	39825					
RG316 SR1	Start	22307	25125	35157	45188	55219	65250							
	Min	10424	11999	17604	23210	28815	34421							
	End	14999	17817	27848	37879	47910	57941							
RG316 SR2	Start	27960	19413	29444	39475	49506	59537							
	Min	13599	8823	14429	20034	25640	31246							
	End	20711	12165	22196	32227	42258	52289							
RG316 SR3	Start	33687	15844	25875	35906	45937	55968							
	Min	16197	6226	11831	17437	23042	28648							
	End	24280	6437	16468	26499	36530	46561							
RG316 SR4	Start	40348		21588	31619	41650	51682							
	Min	19256		8772	14378	19983	25589							
	End	28567		9807	19838	29869	39900							
RG316 SR5	Start	46347			28763	38794	48825	68888						
	Min	21730			11904	17509	23115	34326						
	End	31423			13840	23871	33902	53964						
RG316 SR6	Start	50267			24476	34507	44539	64601						
	Min	24023			9611	15216	20822	32033						
	End	35710			9919	19950	29981	50044						
RG316 SR7	Start	55995				30938	40970	61032						
	Min	26621				12619	18224	29435						
	End	39279				14223	24254	44316						

Actuator Model	Spring Torque in-Lb		Operating Pressure, psig							
			40	50	60	70	80	100	125	150
			Torque Output, in-Lbs							
RG318 SR1	Start	22307	35849	48561	61273					
	Min	10424	17991	25095	32199					
	End	14999	28540	41252	53964					
RG318 SR2	Start	27960	30137	42848	55560	68272				
	Min	13599	14816	21919	29023	36127				
	End	20711	22888	35600	48312	61024				
RG318 SR3	Start	33687	26568	39279	51991	64703				
	Min	16197	12218	19322	26426	33529				
	End	24280	17161	29873	42585	55296				
RG318 SR4	Start	40348	22281	34993	47705	60417				
	Min	19256	9159	16263	23367	30470				
	End	28567	10500	23211	35923	48635				
RG318 SR5	Start	46347		32136	44848	57560	70272			
	Min	21730		13789	20893	27996	35100			
	End	31423		17213	29925	42637	55349			
RG318 SR6	Start	50267		27850	40562	53274	65985			
	Min	24023		11496	18599	25703	32807			
	End	35710		13293	26005	38716	51428			
RG318 SR7	Start	55995			36993	49705	62416			
	Min	26621			16002	23106	30209			
	End	39279			20277	32989	45701			
RG320 SR1	Start	22307	47834	63542						
	Min	10424	24689	33467						
	End	14999	40525	56234						
RG320 SR2	Start	27960	42122	57830						
	Min	13599	21513	30291						
	End	20711	34873	50581						
RG320 SR3	Start	33687	38553	54261	69969					
	Min	16197	18916	27694	36472					
	End	24280	29146	44854	60562					
RG320 SR4	Start	40348	34266	49974	65682					
	Min	19256	15857	24635	33413					
	End	28567	22485	38193	53901					
RG320 SR5	Start	46347	31410	47118	62826					
	Min	21730	13383	22161	30939					
	End	31423	16486	32194	47902					
RG320 SR6	Start	50267	27123	42831	58539					
	Min	24023	11089	19868	28646					
	End	35710	12566	28274	43982					
RG320 SR7	Start	55995		39262	54970	70678				
	Min	26621		17270	26048	34826				
	End	39279		22546	38255	53963				
RG414 SR1	Start	44506		25212	35906	46599	57293	78681	105416	132151
	Min	20331		9549	15525	21501	27477	39429	54369	69309
	End	28258		8964	19658	30352	41046	62433	89168	115903
RG414 SR2	Start	50338			28843	39537	50231	71618	98353	125088
	Min	23934			11922	17898	23874	35826	50766	65706
	End	35321			13825	24519	35213	56601	83335	110070
RG414 SR3	Start	61322				31055	41748	63136	89871	116606
	Min	29373				12459	18435	30387	45327	60267
	End	43803				13535	24229	45617	72351	99086
RG414 SR4	Start	70472					36098	57486	84221	110956
	Min	33509					14299	26251	41191	56132
	End	49453					15079	36467	63201	89936
RG414 SR5	Start	77837							78571	105305
	Min	37145							37555	52495
	End	55103							55836	82571
RG414 SR6	Start	94844							70095	96830
	Min	44265							30435	45375
	End	63578							38830	65565
RG414 SR7	Start	105828							61613	88348
	Min	49704							24996	39936
	End	72061							27846	54580
RG414 SR8	Start	114978								82698
	Min	53839								35801
	End	77711								45431

Spring Return Symmetrical Yoke SR - SO

Actuator Model	Spring Torque in-Lb		Operating Pressure, psig							
			40	50	60	70	80	100	125	150
			Torque Output, in-Lbs							
RG416 SR1	Start	44506	27764	41770	55776	69781	83787	111798		
	Min	20331	10976	18802	26629	34456	42282	57935		
	End	28258	11517	25522	39528	53533	67539	95550		
RG416 SR2	Start	50338		34707	48713	62718	76724	104735	139749	
	Min	23934		15199	23026	30852	38679	54332	73899	
	End	35321		19689	33695	47701	61706	89717	124731	
RG416 SR3	Start	61322			40231	54236	68242	96253	131267	
	Min	29373			17587	25413	33240	48893	68460	
	End	43803			22711	36716	50722	78733	113747	
RG416 SR4	Start	70472			34580	48586	62592	90603	125617	
	Min	33509			13451	21278	29105	44758	64324	
	End	49453			13561	27567	41572	69583	104597	
RG416 SR5	Start	77837					56941	84952	119966	
	Min	37145					25468	41121	60688	
	End	55103					34207	62218	97232	
RG416 SR6	Start	94844					48466	76477	111491	
	Min	44265					18348	34001	53568	
	End	63578					17201	45212	80226	
RG416 SR7	Start	105828						67995	103009	138023
	Min	49704						28562	48129	67695
	End	72061						34228	69241	104255
RG416 SR8	Start	114978						62345	97359	132373
	Min	53839						24427	43993	63560
	End	77711						25078	60092	95105
RG418 SR1	Start	44506	42777	60536	78295	96054	113812			
	Min	20331	19365	29289	39213	49137	59061			
	End	28258	26530	44288	62047	79806	97565			
RG418 SR2	Start	50338	35715	53473	71232	88991	106750			
	Min	23934	15762	25686	35610	45534	55458			
	End	35321	20697	38455	56214	73973	91732			
RG418 SR3	Start	61322		44991	62750	80509	98267	133785		
	Min	29373		20247	30171	40095	50019	69867		
	End	43803		27471	45230	62989	80748	116265		
RG418 SR4	Start	70472		39341	57100	74858	92617	128135		
	Min	33509		16112	26036	35960	45884	65732		
	End	49453		18321	36080	53839	71598	107115		
RG418 SR5	Start	77837				69208	86967	122485		
	Min	37145				32323	42247	62095		
	End	55103				46474	64233	99750		
RG418 SR6	Start	94844				60733	78492	114009		
	Min	44265				25203	35127	54975		
	End	63578				29467	47226	82744		
RG418 SR7	Start	105828				52251	70010	105527		
	Min	49704				19764	29688	49536		
	End	72061				18483	36242	71760		
RG418 SR8	Start	114978					64359	99877		
	Min	53839					25553	45401		
	End	77711					27092	62610		
RG420 SR1	Start	44506	59556	81510	103463	125417				
	Min	20331	28742	41010	53278	65546				
	End	28258	43309	65262	87216	109169				
RG420 SR2	Start	50338	52494	74447	96401	118354	140308			
	Min	23934	25139	37407	49675	61943	74211			
	End	35321	37476	59429	81383	103336	125290			
RG420 SR3	Start	61322	44011	65965	87918	109872	131826			
	Min	29373	19699	31968	44236	56504	68772			
	End	43803	26492	48445	70399	92352	114306			
RG420 SR4	Start	70472	38361	60315	82268	104222	126175			
	Min	33509	15564	27832	40100	52369	64637			
	End	49453	17342	39295	61249	83202	105156			
RG420 SR5	Start	77837		54665	76618	98572	120525			
	Min	37145		24196	36464	48732	61000			
	End	55103		31930	53884	75838	97791			
RG420 SR6	Start	94844			68143	90096	112050			
	Min	44265			29344	41612	53880			
	End	63578			36877	58831	80784			
RG420 SR7	Start	105828			59661	81614	103568			
	Min	49704			23905	36173	48441			
	End	72061			25893	47847	69800			
RG420 SR8	Start	114978				75964	97918	141825		
	Min	53839				32038	44306	68842		
	End	77711				38697	60650	104558		

Actuator Model	Spring Torque in-Lb		Operating Pressure, psig							
			40	50	60	70	80	100	125	150
			Torque Output, in-Lbs							
RG422 SR1	Start	44506	78102	104692	131281					
	Min	20331	39105	53964	68823					
	End	28258	61854	88444	115034					
RG422 SR2	Start	50338	71039	97629	124219					
	Min	23934	35502	50361	65220					
	End	35321	56021	82611	109201					
RG422 SR3	Start	61322	62557	89147	115736	142326				
	Min	29373	30063	44922	59781	74640				
	End	43803	45037	71627	98217	124807				
RG422 SR4	Start	70472	56907	83496	110086	136676				
	Min	33509	25928	40787	55646	70505				
	End	49453	35887	62477	89067	115657				
RG422 SR5	Start	77837		77846	104436	131026				
	Min	37145		37150	52009	66868				
	End	55103		55112	81702	108292				
RG422 SR6	Start	94844		69371	95961	122551				
	Min	44265		30030	44889	59748				
	End	63578		38105	64695	91285				
RG422 SR7	Start	105828		60889	87479	114068	140658			
	Min	49704		24591	39450	54309	69168			
	End	72061		27121	53711	80301	106891			
RG422 SR8	Start	114978			81828	108418	135008			
	Min	53839			35315	50174	65033			
	End	77711			44561	71151	97741			
RG424 SR1	Start	44506	98413	130081						
	Min	20331	50456	68152						
	End	28258	82165	113833						
RG424 SR2	Start	50338	91350	123018						
	Min	23934	46853	64549						
	End	35321	76333	108000						
RG424 SR3	Start	61322	82868	114536						
	Min	29373	41413	59110						
	End	43803	65348	97016						
RG424 SR4	Start	70472	77218	108886	140554					
	Min	33509	37278	54975	72672					
	End	49453	56199	87866	119534					
RG424 SR5	Start	77837	71568	103236	134903					
	Min	37145	33642	51338	69035					
	End	55103	48834	80501	112169					
RG424 SR6	Start	94844	63093	94760	126428					
	Min	44265	26522	44218	61915					
	End	63578	31827	63495	95163					
RG424 SR7	Start	105828	54610	86278	117946					
	Min	49704	21083	38779	56476					
	End	72061	20843	52511	84178					
RG424 SR8	Start	114978		80628	112296					
	Min	53839		34644	52341					
	End	77711		43361	75029					
RG516 SR1	Start	70592		53617	72896	92175	111454	150012	198210	246408
	Min	31677		22191	32965	43738	54512	76059	102993	129927
	End	42778		25803	45082	64361	83640	122199	170396	218594
RG516 SR2	Start	93476			50080	69359	88638	127197	175394	223592
	Min	44446			20196	30969	41743	63290	90224	117158
	End	65594			22199	41478	60757	99315	147513	195710
RG516 SR3	Start	113089					80079	118637	166835	215032
	Min	52318					33871	55418	82352	109286
	End	74154					41143	79702	127899	176097
RG516 SR4	Start	132625						107224	155422	203620
	Min	60965						46771	73705	100639
	End	85567						60166	108364	156561
RG516 SR5	Start	164068							132616	180814
	Min	76123							58547	85481
	End	108373							76920	125118
RG516 SR6	Start	203217								160841
	Min	92642								68962
	End	128345								85969

SR - SO
Symmetrical Yoke
Spring Return

Actuator Model	Spring Torque in-Lb		Operating Pressure, psig							
			40	50	60	70	80	100	125	150
			Torque Output, in-Lbs							
RG518 SR1	Start	70592	55070	79532	103994	128456	152918	201842	262998	
	Min	31677	23003	36673	50343	64013	77683	105023	139198	
	End	42778	27256	51718	76180	100642	125105	174029	235184	
RG518 SR2	Start	93476		56716	81178	105640	130102	179027	240182	
	Min	44446		23904	37574	51244	64914	92254	126429	
	End	65594		28835	53297	77759	102221	151145	212300	
RG518 SR3	Start	113089			72619	97081	121543	170467	231622	
	Min	52318			29702	43372	57042	84382	118557	
	End	74154			33683	58145	82608	131532	192687	
RG518 SR4	Start	132625				85668	110130	159054	220210	281365
	Min	60965				34725	48395	75735	109910	144085
	End	85567				38610	63072	111996	173151	234307
RG518 SR5	Start	164068						136248	197403	258559
	Min	76123						60577	94752	128927
	End	108373						80553	141708	202863
RG518 SR6	Start	203217							177431	238586
	Min	92642							78233	112408
	End	128345							102559	163714
RG520 SR1	Start	70592	78241	108496	138751	169006	199260	259770		
	Min	31677	35951	52859	69766	86673	103580	137394		
	End	42778	50427	80682	110937	141192	171447	231956		
RG520 SR2	Start	93476	55425	85680	115935	146190	176445	236954		
	Min	44446	23182	40090	56997	73904	90811	124625		
	End	65594	27544	57798	88053	118308	148563	209073		
RG520 SR3	Start	113089		77121	107375	137630	167885	228395		
	Min	52318		32218	49125	66032	82939	116753		
	End	74154		38185	68440	98695	128950	189459		
RG520 SR4	Start	132625			95963	126217	156472	216982		
	Min	60965			40478	57385	74292	108106		
	End	85567			48904	79159	109414	169924		
RG520 SR5	Start	164068				103411	133666	194176	269813	
	Min	76123				42227	59134	92948	135216	
	End	108373				47716	77971	138481	214118	
RG520 SR6	Start	203217						174204	249841	
	Min	92642						76429	118697	
	End	128345						99332	174969	
RG522 SR1	Start	70592	103851	140509	177166	213823	250481			
	Min	31677	50263	70748	91233	111718	132203			
	End	42778	76037	112695	149352	186010	222667			
RG522 SR2	Start	93476	81035	117693	154350	191008	227665			
	Min	44446	37494	57979	78464	98949	119434			
	End	65594	53154	89811	126469	163126	199783			
RG522 SR3	Start	113089	72476	109133	145791	182448	219105			
	Min	52318	29622	50107	70592	91077	111562			
	End	74154	33540	70198	106855	143513	180170			
RG522 SR4	Start	132625		97720	134378	171035	207693	281008		
	Min	60965		41460	61945	82430	102915	143885		
	End	85567		50662	87320	123977	160634	233949		
RG522 SR5	Start	164068			111572	148229	184887	258201		
	Min	76123			46787	67272	87757	128727		
	End	108373			55876	92534	129191	202506		
RG522 SR6	Start	203217				128257	164914	238229		
	Min	92642				50753	71238	112208		
	End	128345				53385	90042	163357		
RG524 SR1	Start	70592	131900	175570	219240	262910				
	Min	31677	65938	90341	114745	139149				
	End	42778	104087	147756	191426	235096				
RG524 SR2	Start	93476	109085	152754	196424	240094	283763			
	Min	44446	53169	77572	101976	126380	150783			
	End	65594	81203	124873	168542	212212	255882			
RG524 SR3	Start	113089	100525	144195	187864	231534	275204			
	Min	52318	45297	69700	94104	118508	142911			
	End	74154	61590	105259	148929	192599	236269			
RG524 SR4	Start	132625	89112	132782	176452	220121	263791			
	Min	60965	36649	61053	85457	109860	134264			
	End	85567	42054	85724	129394	173063	216733			
RG524 SR5	Start	164068		109976	153646	197315	240985			
	Min	76123		45895	70299	94702	119106			
	End	108373		54280	97950	141620	185290			
RG524 SR6	Start	203217			133673	177343	221013			
	Min	92642			53780	78183	102587			
	End	128345			58801	102471	146141			

Symmetrical Yoke SR - SO

Spring Return

Actuator Model	Spring Torque in-Lb		Operating Pressure, psig							
			40	50	60	70	80	100	125	150
			Torque Output, in-Lbs							
RG528 SR1	Start	70592	195316	254840						
	Min	31677	101376	134639						
	End	42778	167502	227026						
RG528 SR2	Start	93476	172500	232024						
	Min	44446	88607	121870						
	End	65594	144619	204142						
RG528 SR3	Start	113089	163941	223464	282988					
	Min	52318	80735	113998	147261					
	End	74154	125005	184529	244053					
RG528 SR4	Start	132625	152528	212052	271575					
	Min	60965	72088	105351	138614					
	End	85567	105470	164993	224517					
RG528 SR5	Start	164068	129722	189245	248769					
	Min	76123	56930	90193	123456					
	End	108373	74026	133550	193074					
RG528 SR6	Start	203217		169273	228797					
	Min	92642		73674	106937					
	End	128345		94401	153925					
RG618 SR 1	Start	137253			101625	132641	163657	225688	303228	380767
	Min	61952			42042	53125	68632	99648	138418	177188
	End	84469			48841	79857	110873	172904	250444	327983
RG618 SR 2	Start	215953						163754	241294	318833
	Min	101247						72077	115408	158739
	End	146403						94205	171744	249284
RG618 SR 3	Start	256776							207503	285043
	Min	122094							94560	137891
	End	180194							130921	208461
RG618 SR 4	Start	306613							184981	262520
	Min	142313							74342	117673
	End	202716							81084	158624
RG618 SR 5	Start	353206								234364
	Min	163198								96787
	End	230873								112031
RG618 SR 6	Start	394029								200573
	Min	184046								75939
	End	264663								71207
RG620 SR 1	Start	137253		107563	145970	184377	222783	299596	395613	491629
	Min	61952		45361	66823	88285	109748	152673	206329	259985
	End	84469		54779	93186	131593	169999	246812	342829	438845
RG620 SR 2	Start	215953				122442	160849	237662	333678	429695
	Min	101247				48991	70453	113378	167034	220691
	End	146403				52893	91300	168113	264129	360146
RG620 SR 3	Start	256776						203872	299888	395904
	Min	122094						92530	146187	199843
	End	180194						127290	223306	319322
RG620 SR 4	Start	306613						181349	277365	373382
	Min	142313						72312	125968	179625
	End	202716						77453	173469	269485
RG620 SR 5	Start	353206							249209	345225
	Min	163198							105083	158739
	End	230873							126876	222892
RG620 SR 6	Start	394029							215419	311435
	Min	184046							84235	137891
	End	264663							86053	182069
RG622 SR 1	Start	137253	101832	148407	194983	241558	288133	381284	497722	614160
	Min	61952	42158	68185	94212	120240	146267	198322	263390	328459
	End	84469	49048	95623	142199	188774	235349	328500	444938	561376
RG622 SR 2	Start	215953			133048	179624	226199	319350	435788	552226
	Min	101247			54918	80945	106972	159027	224096	289164
	End	146403			63499	110075	156650	249800	366239	482677
RG622 SR 3	Start	256776				145833	192409	285559	401998	518436
	Min	122094				60097	86125	138179	203248	268316
	End	180194				69251	115827	208977	325416	441854
RG622 SR 4	Start	306613					169886	263037	379475	495913
	Min	142313					65906	117961	183030	248098
	End	202716					65990	159140	275579	392017
RG622 SR 5	Start	353206						234880	351319	467757
	Min	163198						97075	162144	227212
	End	230873						112547	228985	345424
RG622 SR 6	Start	394029							317528	433967
	Min	184046							141296	206364
	End	264663							188162	304601

Actuator Model	Spring Torque in-Lb		Operating Pressure, psig							
			40	50	60	70	80	100	125	150
			Torque Output, in-Lbs							
RG624 SR 1	Start	137253	137619	193141	248663	304185	359707	470751		
	Min	61952	62156	93183	124210	155237	186264	248318		
	End	84469	84835	140357	195879	251401	306923	417967		
RG624 SR 2	Start	215953		131207	186729	242251	297773	408817	547622	
	Min	101247		53889	84916	115943	146970	209024	286591	
	End	146403		61658	117180	172702	228224	339268	478073	
RG624 SR 3	Start	256776			152939	208461	263983	375027	513832	
	Min	122094			64068	95095	126122	188176	265743	
	End	180194			76357	131879	187401	298445	437250	
RG624 SR 4	Start	306613				185938	241460	352504	491309	
	Min	142313				74877	105904	167958	245525	
	End	202716				82042	137564	248608	387413	
RG624 SR 5	Start	353206					213304	324348	463153	
	Min	163198					85018	147072	224639	
	End	230873					90971	202015	340820	
RG624 SR 6	Start	394029						290557	429363	
	Min	184046						126224	203792	
	End	264663						161191	299997	
RG628 SR 1	Start	137253	218529	294278	370027	445777	521526			
	Min	61952	107370	149701	192032	234362	276693			
	End	84469	165745	241494	317243	392993	468742			
RG628 SR 2	Start	215953	156594	232344	308093	383843	459592			
	Min	101247	68076	110406	152737	195067	237398			
	End	146403	87045	162795	238544	314294	390043			
RG628 SR 3	Start	256776		198554	274303	350052	425802			
	Min	122094		89558	131889	174220	216550			
	End	180194		121972	197721	273470	349220			
RG628 SR 4	Start	306613		176031	251780	327530	403279	554778		
	Min	142313		69340	111671	154001	196332	280993		
	End	202716		72134	147884	223633	299383	450882		
RG628 SR 5	Start	353206			223624	299373	375123	526622		
	Min	163198			90785	133116	175446	260107		
	End	230873			101291	177040	252790	404289		
RG628 SR 6	Start	394029				265583	341333	492832		
	Min	184046				112268	154598	239259		
	End	264663				136217	211967	363466		
RG632 SR 1	Start	137253	311886	410975	510063					
	Min	61952	159541	214914	270287					
	End	84469	259102	358191	457279					
RG632 SR 2	Start	215953	249952	349040	448129	547218				
	Min	101247	120246	175619	230992	286365				
	End	146403	180402	279491	378580	477669				
RG632 SR 3	Start	256776	216161	315250	414339	513428				
	Min	122094	99398	154771	210144	265518				
	End	180194	139579	238668	337757	436846				
RG632 SR 4	Start	306613	193639	292727	391816	490905				
	Min	142313	79180	134553	189926	245299				
	End	202716	89742	188831	287920	387009				
RG632 SR 5	Start	353206		264571	363660	462749				
	Min	163198		113667	169040	224413				
	End	230873		142238	241327	340415				
RG632 SR 6	Start	394029		230781	329870	428958	528047			
	Min	184046		92819	148193	203566	258939			
	End	264663		101415	200504	299592	398681			
RG636 SR 1	Start	137253	417691	543231						
	Min	61952	218667	288822						
	End	84469	364907	490447						
RG636 SR 2	Start	215953	355756	481296						
	Min	101247	179372	249527						
	End	146403	286207	411747						
RG636 SR 3	Start	256776	321966	447506						
	Min	122094	158524	228679						
	End	180194	245384	370924						
RG636 SR 4	Start	306613	299444	424984	550524					
	Min	142313	138306	208461	278616					
	End	202716	195547	321087	446627					
RG636 SR 5	Start	353206	271287	396827	522367					
	Min	163198	117420	187575	257730					
	End	230873	148954	274494	400034					
RG636 SR 6	Start	394029	237497	363037	488577					
	Min	184046	96573	166727	236882					
	End	264663	108131	233671	359211					

Symmetrical Yoke SR - SO Spring Return

Spring Return Symmetrical Yoke SR - SO

Actuator Model	Spring Torque in-Lb		Operating Pressure, psig							
			40	50	60	70	80	100	125	150
			Torque Output, in-Lbs							
RG724 SR 1	Start	240347		162102	227672	293243	358814	489956	653883	817810
	Min	113469		69744	106386	143029	179671	252956	344563	436169
	End	165753		87508	153079	218649	284220	415362	579289	743216
RG724 SR 2	Start	407469					248307	379449	543376	707303
	Min	191042					102099	175384	266990	358596
	End	276259					117098	248240	412167	576094
RG724 SR 3	Start	472668						335246	499174	663101
	Min	221610						144815	236422	328028
	End	320462						183040	346967	510895
RG724 SR 4	Start	568259							443928	607855
	Min	263756							194276	285882
	End	375708							251377	415304
RG724 SR 5	Start	647815							377624	541551
	Min	304511							153521	245127
	End	442012							171821	335748
RG724 SR 6	Start	713015								497348
	Min	335079								214559
	End	486215								270548
RG728 SR 1	Start	240347	192748	282373	371998	461623	551248	730498	954561	
	Min	113469	86869	136954	187039	237123	287208	387377	512589	
	End	165753	118154	207779	297404	387029	476654	655904	879967	
RG728 SR 2	Start	407469			261491	351116	440741	619991	844054	1068117
	Min	191042			109466	159551	209635	309804	435016	560227
	End	276259			130282	219907	309532	488782	712845	936907
RG728 SR 3	Start	472668				306913	396538	575789	799851	1023914
	Min	221610				128982	179067	279236	404447	529659
	End	320462				154707	244332	423582	647645	871708
RG728 SR 4	Start	568259					341292	520543	744605	968668
	Min	263756					136921	237090	362302	487513
	End	375708					148741	327991	552054	776117
RG728 SR 5	Start	647815						454239	678301	902364
	Min	304511						196335	321547	446758
	End	442012						248436	472498	696561
RG728 SR 6	Start	713015						410036	634099	858161
	Min	335079						165767	290979	416190
	End	486215						183236	407298	631361
RG732 SR 1	Start	240347	303767	421147	538527	655907	773287	1008047		
	Min	113469	148910	214504	280099	345694	411288	542478		
	End	165753	229173	346553	463933	581313	698693	933453		
RG732 SR 2	Start	407469		310640	428020	545400	662780	897540		
	Min	191042		136932	202526	268121	333716	464905		
	End	276259		179431	296811	414191	531571	766331		
RG732 SR 3	Start	472668		266438	383817	501197	618577	853337		
	Min	221610		106363	171958	237553	303147	434337		
	End	320462		114231	231611	348991	466371	701131		
RG732 SR 4	Start	568259			328571	445951	563331	798091	1091541	
	Min	263756			129812	195407	261002	392191	556178	
	End	375708			136020	253400	370780	605540	898990	
RG732 SR 5	Start	647815				379647	497027	731787	1025237	
	Min	304511				154652	220247	351436	515423	
	End	442012				173844	291224	525984	819434	
RG732 SR 6	Start	713015					452825	687584	981034	
	Min	335079					189678	320868	484854	
	End	486215					226025	460784	754234	
RG736 SR 1	Start	240347	429589	578424	727260	876095	1024931			
	Min	113469	219222	302395	385568	468740	551913			
	End	165753	354995	503831	652666	801501	950337			
RG736 SR 2	Start	407469	319082	467918	616753	765589	914424			
	Min	191042	141649	224822	307995	391168	474340			
	End	276259	187873	336709	485544	634379	783215			
RG736 SR 3	Start	472668	274880	423715	572551	721386	870221			
	Min	221610	111081	194254	277426	360599	443772			
	End	320462	122673	271509	420344	569180	718015			
RG736 SR 4	Start	568259		368469	517305	666140	814975			
	Min	263756		152108	235281	318454	401626			
	End	375708		175918	324753	473589	622424			
RG736 SR 5	Start	647815			451001	599836	748671	1046342		
	Min	304511			194526	277699	360871	527217		
	End	442012			245197	394033	542868	840539		
RG736 SR 6	Start	713015			406798	555633	704469	1002140		
	Min	335079			163958	247130	330303	496649		
	End	486215			179998	328833	477669	775339		

Actuator Model	Spring Torque in-Lb	Operating Pressure, psig								
		40	50	60	70	80	100	125	150	
		Torque Output, in-Lbs								
RG740 SR 1	Start	240347	570214	754205	938197					
	Min	113469	297806	400625	503444					
	End	165753	495620	679611	863603					
RG740 SR 2	Start	407469	459707	643699	827690	1011682				
	Min	191042	220234	323052	425871	528690				
	End	276259	328498	512489	696481	880472				
RG740 SR 3	Start	472668	415504	599496	783487	967479				
	Min	221610	189665	292484	395303	498122				
	End	320462	263298	447290	631281	815273				
RG740 SR 4	Start	568259	360258	544250	728241	912233	1096225			
	Min	263756	147520	250339	353157	455976	558795			
	End	375708	167707	351699	535690	719682	903673			
RG740 SR 5	Start	647815	293954	477946	661937	845929	1029921			
	Min	304511	106765	209584	312402	415221	518040			
	End	442012	88151	272143	456134	640126	824118			
RG740 SR 6	Start	713015		433743	617735	801726	985718			
	Min	335079		179015	281834	384653	487472			
	End	486215		206943	390935	574926	758918			
RG828 SR 1	Start	490449			348513	461551	574589	800665	1083260	1365855
	Min	229163			149846	213015	276183	402520	560440	718361
	End	329714			187779	300817	413855	639931	922526	1205121
RG828 SR 2	Start	764936						602844	885439	1168034
	Min	361132						270551	428472	586392
	End	527535						365444	648039	930634
RG828 SR 3	Start	980897							753546	1036141
	Min	458326							331277	489198
	End	659429							432077	714672
RG828 SR 4	Start	1211701								926230
	Min	553526								393998
	End	769340								483868
RG828 SR 5	Start	1255384								838320
	Min	590295								357229
	End	857250								440185
RG828 SR 6	Start	1471346								
	Min	687490								
	End	989143								
RG832 SR 1	Start	490449		412097	560460	708822	857184	1153909	1524815	1895721
	Min	229163		185379	268287	351195	434104	599920	807191	1014462
	End	329714		251363	399725	548088	696450	993175	1364080	1734986
RG832 SR 2	Start	764936				511001	659363	956088	1326994	1697900
	Min	361132				219227	302135	467952	675223	882494
	End	527535				273601	421963	718688	1089593	1460499
RG832 SR 3	Start	980897					527470	824195	1195100	1566006
	Min	458326					204941	370757	578028	785299
	End	659429					206001	502726	873632	1244538
RG832 SR 4	Start	1211701						714284	1085189	1456095
	Min	553526						275558	482828	690099
	End	769340						271922	642828	1013734
RG832 SR 5	Start	1255384							997279	1368185
	Min	590295							446060	653331
	End	857250							599145	970051
RG832 SR 6	Start	1471346							865386	1236292
	Min	687490							348865	556136
	End	989143							383183	754089
RG836 SR 1	Start	490449	423872	612269	800665	989062	1177459	1554252	2025243	
	Min	229163	191959	297239	402520	507800	613080	823641	1086843	
	End	329714	263138	451534	639931	828328	1016724	1393517	1864509	
RG836 SR 2	Start	764936		414448	602844	791241	979637	1356431	1827422	
	Min	361132		165271	270551	375832	481112	691673	954874	
	End	527535		177047	365444	553841	742237	1119030	1590022	
RG836 SR 3	Start	980897			659348	847744	1224537	1695529	2166521	
	Min	458326			278637	383917	594478	857679	1120881	
	End	659429			337879	526276	903069	1374060	1845052	
RG836 SR 4	Start	1211701					737833	1114626	1585618	2056609
	Min	553526					288718	499278	762480	1025681
	End	769340					295472	672265	1143257	1614248
RG836 SR 5	Start	1255384						1026716	1497708	1968699
	Min	590295						462510	725711	988912
	End	857250						628582	1099573	1570565
RG836 SR 6	Start	1471346						894823	1365815	1836806
	Min	687490						365315	628516	891717
	End	989143						412620	883612	1354603

Spring Return	Symmetrical Yoke	SR - SO	Actuator Model	Spring Torque in-Lb	Operating Pressure, psig									
					40	50	60	70	80	100	125	150		
					Torque Output, in-Lbs									
RG840 SR 1	Start	490449	602849	835990	1069131	1302271	1535412	2001694						
	Min	229163	291975	422260	552544	682829	813113	1073682						
	End	329714	442115	675255	908396	1141537	1374678	1840959						
RG840 SR 2	Start	764936	405028	638169	871309	1104450	1337591	1803873						
	Min	361132	160007	290291	420576	550860	681145	941714						
	End	527535	167627	400768	633909	867050	1100191	1566472						
RG840 SR 3	Start	980897			739416	972557	1205698	1671979						
	Min	458326			323381	453666	583950	844519						
	End	659429			417948	651088	884229	1350511						
RG840 SR 4	Start	1211701				862646	1095787	1562068	2144920					
	Min	553526				358466	488750	749320	1075031					
	End	769340				420285	653425	1119707	1702559					
RG840 SR 5	Start	1255384				774736	1007877	1474158	2057010					
	Min	590295				321697	451982	712551	1038262					
	End	857250				376601	609742	1076024	1658876					
RG840 SR 6	Start	1471346					875983	1342265	1925117					
	Min	687490					354787	615356	941068					
	End	989143					393780	860062	1442914					

DA - DR
Double Acting
Symmetrical Yoke

Actuator Model		Operating Pressure, psig							
		40	50	60	70	80	100	125	150
		Torque Output, in-Lbs							
RG105 DA	Start/End	2803	3503	4204	4905	5605	7006	8758	10510
	Minimum	1566	1958	2349	2741	3132	3915	4894	5873
RG106 DA	Start/End	4075	5093	6112	7131	8149	10187	12733	15280
	Minimum	2277	2846	3416	3985	4554	5693	7116	8539
RG107 DA	Start/End	5578	6973	8367	9762	11156	13945	17431	
	Minimum	3117	3896	4676	5455	6234	7793	9741	
RG105 DD	Start/End	5694	7117	8541	9964	11387	14234	17793	
	Minimum	3182	3977	4773	5568	6364	7954	9943	
RG108 DA	Start/End	7313	9141	10969	12797	14626			
	Minimum	4087	5108	6130	7151	8173			
RG106 DD	Start/End	8238	10297	12357	14416	16476			
	Minimum	4604	5754	6905	8056	9207			
RG109 DA	Start/End	9279	11598	13918	16238				
	Minimum	5185	6481	7778	9074				
RG107 DD	Start/End	11245	14056	16867					
	Minimum	6284	7855	9426					
RG108 DD	Start/End	14714							
	Minimum	8223							
RG208 DA	Start/End					17221	21526	26907	32289
	Minimum					9623	12029	15036	18044
RG209 DA	Start/End	10934	13667	16401	19134	21867	27334	34168	
	Minimum	6110	7638	9165	10693	12220	15275	19094	
RG210 DA	Start/End	13530	16913	20296	23678	27061	33826		
	Minimum	7561	9451	11342	13232	15122	18903		
RG208 DD	Start/End	17357	21697	26036	30375	34715			
	Minimum	9700	12125	14550	16974	19399			
RG212 DA	Start/End	19544	24430	29316	34202				
	Minimum	10922	13652	16383	19113				
RG209 DD	Start/End	22004	27505	33006					
	Minimum	12296	15371	18445					
RG210 DD	Start/End	27198	33997						
	Minimum	15199	18998						
RG310 DA	Start/End					31047	38809	48511	58213
	Minimum					17350	21687	27109	32531
RG312 DA	Start/End	22462	28078	33693	39309	44924	56155	70194	
	Minimum	12552	15690	18829	21967	25105	31381	39226	
RG314 DA	Start/End	30662	38328	45994	53659	61325			
	Minimum	17135	21419	25702	29986	34270			
RG310 DD	Start/End	31293	39117	46940	54763	62586			
	Minimum	17487	21859	26231	30603	34975			
RG316 DA	Start/End	40124	50155	60186	70218				
	Minimum	22422	28028	33634	39239				
RG312 DD	Start/End	45171	56463	67756					
	Minimum	25242	31553	37864					
RG314 DD	Start/End	61571							
	Minimum	34407							
RG414 DA	Start/End				74857	85551	106939	133674	
	Minimum				41832	47808	59760	74700	
RG416 DA	Start/End	56022	70028	84033	98039	112044	140056		
	Minimum	31307	39133	46960	54786	62613	78266		
RG418 DA	Start/End	71035	88794	106553	124311	142070			
	Minimum	39696	49620	59544	69468	79392			
RG414 DD	Start/End	86048	107560	129072					
	Minimum	48086	60107	72128					
RG420 DA	Start/End	87814	109768	131721					
	Minimum	49073	61341	73609					
RG416 DD	Start/End	112541	140677						
	Minimum	62891	78613						

Symmetrical Yoke

Double Acting

DA - DR

Actuator Model		Operating Pressure, psig							
		40	50	60	70	80	100	125	150
		Torque Output, in-Lbs							
RG516 DA	Start/End				134954	154233	192791	240989	
	Minimum				75415	86189	107736	134670	
RG518 DA	Start/End	97848	122310	146773	171235	195697	244621		
	Minimum	54680	68350	82020	95690	109360	136700		
RG520 DA	Start/End	121019	151274	181529	211784	242039			
	Minimum	67629	84536	101443	118350	135257			
RG522 DA	Start/End	146630	183287	219944	256602				
	Minimum	81940	102425	122910	143395				
RG516 DD	Start/End	155166	193958	232750	271541				
	Minimum	86711	108388	130066	151744				
RG518 DD	Start/End	196630	245788						
	Minimum	109882	137352						
RG520 DD	Start/End	242973							
	Minimum	135779							
RG618 DA	Start/End					248126	310158	387697	465236
	Minimum					138659	173223	216654	259985
RG620 DA	Start/End	153626	192033	230439	268846	307252	384065	480082	
	Minimum	85850	107312	128775	150237	171700	214625	268281	
RG622 DA	Start/End	186301	232876	279452	326027	372602	465753		
	Minimum	104109	130137	156164	182192	208219	260274		
RG624 DA	Start/End	222088	277610	333132	388654	444176	555220		
	Minimum	124108	155135	186162	217189	248216	310270		
RG618 DD	Start/End	250095	312619	375143	437667	500191			
	Minimum	139759	174699	209639	244579	279518			
RG628 DA	Start/End	302998	378747	454497	530246				
	Minimum	169322	211653	253983	296314				
RG620 DD	Start/End	309222	386527	463832	541138				
	Minimum	172800	216000	259200	302401				
RG622 DD	Start/End	374572	468215						
	Minimum	209319	261649						
RG624 DD	Start/End	446146	557682						
	Minimum	249317	311646						
RG724 DA	Start/End					524567	655709	819636	983563
	Minimum					293140	366425	458032	549638
RG728 DA	Start/End	358500	448125	537750	627375	717000	896251		
	Minimum	200338	250423	300508	350592	400677	500846		
RG732 DA	Start/End	469520	586900	704280	821659	939039			
	Minimum	262379	327973	393568	459163	524757			
RG724 DD	Start/End	528730	660913	793095	925278	1057460			
	Minimum	295467	369333	443200	517067	590934			
RG736 DA	Start/End	595342	744177	893013	1041848				
	Minimum	332691	415864	499036	582209				
RG728 DD	Start/End	721164	901455	1081746					
	Minimum	403003	503754	604505					
RG732 DD	Start/End	943203							
	Minimum	527084							
RG828 DA	Start/End						1130380	1412975	1695570
	Minimum						631683	789603	947524
RG832 DA	Start/End	593449	741812	890174	1038536	1186899	1483623	1854529	
	Minimum	331633	414542	497450	580359	663267	829084	1036355	
RG836 DA	Start/End	753586	941983	1130380	1318776	1507173	1883966		
	Minimum	421122	526402	631683	736963	842244	1052805		
RG828 DD	Start/End	913724	1142154	1370585	1599016	1827447			
	Minimum	510610	638263	765915	893568	1021220			
RG840 DA	Start/End	932563	1165704	1398845	1631986	1865126			
	Minimum	521138	651423	781707	911992	1042277			
RG832 DD	Start/End	1196318	1495398	1794478	2093557				
	Minimum	668531	835664	1002796	1169929				
RG836 DD	Start/End	1516593	1895741						
	Minimum	847508	1059385						
RG840DD	Start/End	1874546							
	Minimum	1047541							

Symmetrical Yoke DA - DR Double Acting

DA: Single, Double Acting Cylinder
DD : Dual Cylinders (one on either side of the Torque Module)

SR - SO
Spring Return
Canted Yoke

Actuator Model	Spring Torque, in-Lbs	Operating Pressure, psig								
		40	50	60	70	80	100	125	150	
		Torque Output, in-Lbs								
RG106C SR 1	Start	5254				4108	5344	7818	10910	14002
	Min	2774				1211	1780	2919	4342	5765
	End	4550				808	1674	3406	5571	7736
RG106C SR 2	Start	5423					4263	6736	9828	12920
	Min	3078					1476	2614	4037	5460
	End	5631					1505	3237	5402	7567
RG106C SR 3	Start	6431						5436	8528	11620
	Min	3709						1984	3407	4830
	End	6932						2229	4394	6559
RG106C SR 4	Start	7507							7661	10753
	Min	4262							2853	4277
	End	7799							3317	5482
RG106C SR 5	Start	8418							6794	9886
	Min	4761							2355	3778
	End	8666							2407	4572
RG106C SR 6	Start	10677								8370
	Min	5852								2686
	End	10181								2312
RG107C SR 1	Start	5254			5609	7302	8995	12381	16614	
	Min	2774			1902	2681	3460	5019	6967	
	End	4550			1859	3044	4230	6601	9564	
RG107C SR 2	Start	5423			4527	6220	7913	11299	15532	
	Min	3078			1597	2377	3156	4714	6663	
	End	5631			1690	2875	4061	6432	9395	
RG107C SR 3	Start	6431				4920	6613	9999	14231	
	Min	3709				1746	2525	4084	6032	
	End	6932				1868	3053	5424	8388	
RG107C SR 4	Start	7507					5746	9132	13364	17597
	Min	4262					1972	3531	5479	7427
	End	7799					1977	4348	7311	10275
RG107C SR 5	Start	8418						8265	12497	16730
	Min	4761						3032	4980	6928
	End	8666						3437	6401	9364
RG107C SR 6	Start	10677							10982	15215
	Min	5852							3889	5837
	End	10181							4141	7105
RG107C SR 7	Start	11685							9682	13915
	Min	6483							3258	5206
	End	11481							3134	6097
RG107C SR 8	Start	12761								13048
	Min	7036								4653
	End	12348								5021
RG108C SR 1	Start	5254	4329	6548	8768	10987	13207	17646		
	Min	2774	1174	2088	3003	3917	4831	6659		
	End	4550	962	2517	4071	5625	7179	10287		
RG108C SR 2	Start	5423		5467	7686	9906	12125	16564		
	Min	3078		1816	2730	3644	4558	6387		
	End	5631		2348	3902	5456	7010	10118		
RG108C SR 3	Start	6431		4166	6386	8605	10825	15264		
	Min	3709		1252	2166	3080	3994	5822		
	End	6932		1340	2894	4448	6002	9111		
RG108C SR 4	Start	7507			5519	7738	9958	14397		
	Min	4262			1671	2585	3499	5327		
	End	7799			1818	3372	4926	8034		
RG108C SR 5	Start	8418				6871	9091	13530		
	Min	4761				2139	3053	4881		
	End	8666				2461	4015	7124		
RG108C SR 6	Start	10677						12015	17564	
	Min	5852						3905	6190	
	End	10181						4864	8750	
RG108C SR 7	Start	11685						10714	16263	
	Min	6483						3340	5626	
	End	11481						3857	7742	
RG108C SR 8	Start	12761						9847	15396	
	Min	7036						2845	5131	
	End	12348						2780	6666	

Spring Return Canted Yoke SR - SO

Spring Return Canted Yoke SR - SO

Actuator Model	Spring Torque, in-Lbs	Operating Pressure, psig								
		40	50	60	70	80	100	125	150	
		Torque Output, in-Lbs								
RG109C SR 1	Start	5254	6715	9532	12348	15164	17981			
	Min	2774	2157	3317	4477	5637	6797			
	End	4550	2634	4606	6578	8550	10522			
RG109C SR 2	Start	5423	5634	8450	11266	14083	16899			
	Min	3078	1885	3045	4205	5364	6524			
	End	5631	2465	4437	6409	8381	10353			
RG109C SR 3	Start	6431	4333	7150	9966	12782	15598			
	Min	3709	1321	2481	3641	4800	5960			
	End	6932	1457	3429	5401	7373	9345			
RG109C SR 4	Start	7507		6283	9099	11915	14731			
	Min	4262		1986	3145	4305	5465			
	End	7799		2353	4325	6297	8269			
RG109C SR 5	Start	8418		5416	8232	11048	13864			
	Min	4761		1539	2699	3859	5019			
	End	8666		1442	3414	5386	7358			
RG109C SR 6	Start	10677				9533	12349			
	Min	5852				2883	4042			
	End	10181				3127	5099			
RG109C SR 7	Start	11685				8233	11049	16681		
	Min	6483				2318	3478	5798		
	End	11481				2119	4091	8035		
RG109C SR 8	Start	12761					10182	15814		
	Min	7036					2983	5303		
	End	12348					3014	6958		
RG110C SR 1	Start	5254	9383	12866	16349					
	Min	2774	3256	4691	6125					
	End	4550	4502	6941	9380					
RG110C SR 2	Start	5423	8302	11785	15268					
	Min	3078	2984	4418	5853					
	End	5631	4333	6772	9211					
RG110C SR 3	Start	6431	7001	10484	13967	17451				
	Min	3709	2419	3854	5288	6723				
	End	6932	3325	5764	8203	10642				
RG110C SR 4	Start	7507	6134	9617	13100	16584				
	Min	4262	1924	3359	4793	6228				
	End	7799	2249	4687	7126	9565				
RG110C SR 5	Start	8418		8750	12233	15717				
	Min	4761		2913	4347	5782				
	End	8666		3777	6216	8655				
RG110C SR 6	Start	10677			10718	14202	17685			
	Min	5852			3371	4805	6240			
	End	10181			3956	6395	8834			
RG110C SR 7	Start	11685			9418	12901	16384			
	Min	6483			2806	4241	5675			
	End	11481			2949	5388	7827			
RG110C SR 8	Start	12761				12034	15517			
	Min	7036				3746	5180			
	End	12348				4311	6750			
RG208C SR 1	Start	10148				8792	11405	16632	23166	29699
	Min	5522				2593	3669	5822	8513	11203
	End	9502				2661	4491	8151	12726	17301
RG208C SR 2	Start	11113					8812	14039	20572	27106
	Min	6436					2851	5004	7695	10386
	End	12095					3526	7186	11761	16335
RG208C SR 3	Start	12892						12745	19278	25812
	Min	7319						4214	6905	9596
	End	13389						5407	9982	14557
RG208C SR 4	Start	16091							16252	22785
	Min	9067							5341	8032
	End	16416							6783	11357
RG208C SR 5	Start	19054							13231	19764
	Min	10736							3848	6539
	End	19437							3820	8395
RG208C SR 6	Start	21261								17604
	Min	11959								5445
	End	21597								6187
RG208C SR 7	Start	23040								16310
	Min	12841								4655
	End	22891								4408
RG208C SR 8	Start	26239								
	Min	14589								
	End	25917								

Actuator Model	Spring Torque, in-Lbs	Operating Pressure, psig								
		40	50	60	70	80	100	125	150	
		Torque Output, in-Lbs								
RG209C SR 1	Start	10148			10410	13728	17047	23684	31981	
	Min	5522			3259	4626	5993	8726	12143	
	End	9502			3794	6118	8442	13089	18898	
RG209C SR 2	Start	11113			7816	11135	14454	21091	29387	
	Min	6436			2441	3808	5175	7908	11325	
	End	12095			2829	5153	7476	12124	17933	
RG209C SR 3	Start	12892				9841	13160	19797	28093	
	Min	7319				3019	4385	7119	10536	
	End	13389				3374	5697	10345	16154	
RG209C SR 4	Start	16091						16770	25067	33363
	Min	9067						5555	8972	12388
	End	16416						7146	12955	18764
RG209C SR 5	Start	19054						13749	22046	30342
	Min	10736						4061	7478	10895
	End	19437						4183	9993	15802
RG209C SR 6	Start	21261							19886	28182
	Min	11959							6384	9801
	End	21597							7785	13594
RG209C SR 7	Start	23040							18591	26888
	Min	12841							5595	9011
	End	22891							6006	11815
RG209C SR 8	Start	26239								23862
	Min	14589								7447
	End	25917								8616
RG210C SR 1	Start	10148		11032	15139	19246	23352	31566		
	Min	5522		3516	5207	6898	8590	11972		
	End	9502		4230	7105	9981	12857	18608		
RG210C SR 2	Start	11113			12545	16652	20759	28972		
	Min	6436			4389	6080	7772	11154		
	End	12095			6140	9016	11891	17642		
RG210C SR 3	Start	12892			11251	15358	19465	27678		
	Min	7319			3599	5291	6982	10365		
	End	13389			4361	7237	10112	15864		
RG210C SR 4	Start	16091				12332	16439	24652	34919	
	Min	9067				3727	5418	8801	13029	
	End	16416				4038	6913	12665	19854	
RG210C SR 5	Start	19054					13417	21631	31898	
	Min	10736					3925	7307	11536	
	End	19437					3951	9702	16891	
RG210C SR 6	Start	21261						19471	29738	
	Min	11959						6213	10442	
	End	21597						7494	14683	
RG210C SR 7	Start	23040						18177	28444	
	Min	12841						5424	9652	
	End	22891						5715	12904	
RG210C SR 8	Start	26239							25417	35684
	Min	14589							8088	12316
	End	25917							9705	16894
RG212C SR 1	Start	10148	14226	20158	26090	32022				
	Min	5522	4831	7274	9717	12160				
	End	9502	6466	10620	14774	18927				
RG212C SR 2	Start	11113	11633	17565	23497	29429	35361			
	Min	6436	4013	6456	8899	11342	13785			
	End	12095	5501	9655	13808	17962	22116			
RG212C SR 3	Start	12892	10339	16271	22203	28135	34067			
	Min	7319	3224	5667	8110	10553	12996			
	End	13389	3722	7876	12029	16183	20337			
RG212C SR 4	Start	16091		13244	19176	25108	31040			
	Min	9067		4103	6546	8989	11432			
	End	16416		4677	8830	12984	17138			
RG212C SR 5	Start	19054			16155	22087	28019			
	Min	10736			5052	7495	9938			
	End	19437			5868	10022	14175			
RG212C SR 6	Start	21261				19927	25859			
	Min	11959				6401	8844			
	End	21597				7814	11967			
RG212C SR 7	Start	23040				18633	24565			
	Min	12841				5612	8055			
	End	22891				6035	10189			
RG212C SR 8	Start	26239					21539	33402		
	Min	14589					6491	11377		
	End	25917					6990	15297		

Spring Return Canted Yoke SR - SO

Spring Return Canted Yoke SR - SO

Actuator Model	Spring Torque, in-Lbs	Operating Pressure, psig								
		40	50	60	70	80	100	125	150	
		Torque Output, in-Lbs								
RG310C SR1	Start	18964				14772	19483	28907	40686	52465
	Min	10424				4256	6197	10078	14929	19780
	End	18210				4130	7429	14028	22275	30523
RG310C SR2	Start	23769						21971	33751	45530
	Min	13599						7237	12088	16939
	End	25145						9223	17470	25718
RG310C SR3	Start	28638							29418	41197
	Min	16197							9763	14615
	End	29478							12602	20849
RG310C SR4	Start	34300							24213	35992
	Min	19256							7027	11878
	End	34682							6939	15187
RG310C SR5	Start	39400								32524
	Min	21730								9664
	End	38150								10087
RG312C SR1	Start	18964		15879	22696	29514	36332	49967	67011	
	Min	10424		4712	7520	10328	13136	18751	25770	
	End	18210		4905	9679	14453	19227	28774	40709	
RG312C SR2	Start	23769			15761	22579	29396	43032	60076	
	Min	13599			4679	7487	10294	15910	22929	
	End	25145			4874	9648	14422	23969	35904	
RG312C SR3	Start	28638					25063	38699	55743	
	Min	16197					7970	13586	20605	
	End	29478					9553	19100	31035	
RG312C SR4	Start	34300						33494	50538	67583
	Min	19256						10849	17868	24888
	End	34682						13438	25372	37307
RG312C SR5	Start	39400						30027	47071	64115
	Min	21730						8635	15655	22674
	End	38150						8338	20273	32207
RG312C SR6	Start	42732							41866	58910
	Min	24023							13603	20622
	End	43355							16940	28874
RG312C SR7	Start	47601							37533	54577
	Min	26621							11279	18298
	End	47688							12071	24006
RG314C SR1	Start	18964	19017	28323	37630	46937	56243	74856		
	Min	10424	6005	9837	13670	17503	21336	29001		
	End	18210	7103	13619	20136	26652	33169	46202		
RG314C SR2	Start	23769		21388	30695	40001	49308	67921		
	Min	13599		6996	10829	14662	18495	26160		
	End	25145		8814	15331	21847	28364	41397		
RG314C SR3	Start	28638			26362	35668	44975	63588		
	Min	16197			8505	12338	16171	23836		
	End	29478			10462	16978	23495	36528		
RG314C SR4	Start	34300				30464	39770	58384		
	Min	19256				9601	13434	21099		
	End	34682				11316	17832	30865		
RG314C SR5	Start	39400					36303	54916		
	Min	21730					11220	18886		
	End	38150					12733	25766		
RG314C SR6	Start	42732					31098	49711		
	Min	24023					9168	16834		
	End	43355					9400	22433		
RG314C SR7	Start	47601						45378	68645	
	Min	26621						14510	24092	
	End	47688						17564	33856	
RG316C SR1	Start	18964	30504	42683	54861	67040				
	Min	10424	10736	15751	20767	25782				
	End	18210	15146	23674	32201	40729				
RG316C SR2	Start	23769	23569	35747	47926	60104				
	Min	13599	7894	12910	17926	22941				
	End	25145	10341	18869	27396	35924				
RG316C SR3	Start	28638	19236	31414	43593	55771	67950			
	Min	16197	5570	10586	15601	20617	25632			
	End	29478	5472	14000	22527	31055	39582			
RG316C SR4	Start	34300		26210	38388	50567	62745			
	Min	19256		7849	12864	17880	22895			
	End	34682		8337	16865	25392	33919			
RG316C SR5	Start	39400			34921	47099	59278			
	Min	21730			10651	15666	20682			
	End	38150			11765	20293	28820			
RG316C SR6	Start	42732			29716	41895	54073			
	Min	24023			8599	13614	18630			
	End	43355			8432	16960	25487			
RG316C SR7	Start	47601				37562	49740			
	Min	26621				11290	16306			
	End	47688				12091	20618			

Actuator Model	Spring Torque, in-Lbs	Operating Pressure, psig								
		40	50	60	70	80	100	125	150	
		Torque Output, in-Lbs								
RG414C SR1	Start	37834		30609	43592	56575	69558	95525	127983	
	Min	20331		8544	13891	19238	24585	35279	48646	
	End	34307		7620	16711	25802	34893	53075	75802	
RG414C SR2	Start	42793			35017	48001	60984	86950	119408	
	Min	23934			10667	16014	21361	32055	45422	
	End	42882			11753	20844	29935	48116	70844	
RG414C SR3	Start	52130				37702	50686	76652	109110	141568
	Min	29373				11147	16494	27188	40556	53923
	End	53180				11506	20597	38779	61506	84233
RG414C SR4	Start	59909					43826	69792	102250	134708
	Min	33509					12794	23488	36856	50223
	End	60040					12819	31000	53728	76455
RG414C SR5	Start	66170							95391	127849
	Min	37145							33602	46969
	End	66899							47467	70194
RG414C SR6	Start	80627							85101	117559
	Min	44265							27231	40599
	End	77189							33009	55737
RG414C SR7	Start	89965							74803	107261
	Min	49704							22365	35732
	End	87487							23672	46399
RG414C SR8	Start	97743								100401
	Min	53839								32032
	End	94347								38621
RG416C SR1	Start	37834	33708	50712	67716	84719	101723	135731		
	Min	20331	9820	16823	23826	30829	37831	51837		
	End	34307	9790	21697	33603	45509	57415	81227		
RG416C SR2	Start	42793		42137	59141	76145	93149	127156		
	Min	23934		13599	20602	27605	34608	48613		
	End	42882		16738	28644	40550	52457	76269		
RG416C SR3	Start	52130			48843	65847	82850	116858		
	Min	29373			15735	22738	29741	43746		
	End	53180			19307	31213	43119	66931		
RG416C SR4	Start	59909			41983	58987	75991	109998		
	Min	33509			12035	19038	26041	40046		
	End	60040			11528	23434	35341	59153		
RG416C SR5	Start	66170					69131	103139		
	Min	37145					22787	36793		
	End	66899					29080	52892		
RG416C SR6	Start	80627					58841	92849	135359	
	Min	44265					16417	30422	47929	
	End	77189					14622	38435	68200	
RG416C SR7	Start	89965						82551	125060	
	Min	49704						25556	43063	
	End	87487						29097	58862	
RG416C SR8	Start	97743						75691	118201	
	Min	53839						21856	39363	
	End	94347						21319	51084	
RG418C SR1	Start	37834	51935	73495	95056	116616	138177			
	Min	20331	17327	26206	35085	43965	52844			
	End	34307	22553	37650	52746	67843	82940			
RG418C SR2	Start	42793	43360	64921	86481	108042	129602			
	Min	23934	14103	22982	31862	40741	49620			
	End	42882	17594	32691	47788	62885	77982			
RG418C SR3	Start	52130		54623	76183	97743	119304			
	Min	29373		18116	26995	35874	44754			
	End	53180		23354	38450	53547	68644			
RG418C SR4	Start	59909		47763	69323	90884	112444			
	Min	33509		14416	23295	32174	41054			
	End	60040		15575	30672	45769	60866			
RG418C SR5	Start	66170				84024	105584			
	Min	37145				28921	37800			
	End	66899				39508	54605			
RG418C SR6	Start	80627				73734	95295	138416		
	Min	44265				22550	31430	49188		
	End	77189				25050	40147	70341		
RG418C SR7	Start	89965					84997	128118		
	Min	49704					26563	44322		
	End	87487					30810	61003		
RG418C SR8	Start	97743					78137	121258		
	Min	53839					22863	40622		
	End	94347					23031	53225		

Spring Return Canted Yoke SR - SO

Spring Return Canted Yoke SR - SO

Actuator Model	Spring Torque, in-Lbs	Operating Pressure, psig								
		40	50	60	70	80	100	125	150	
		Torque Output, in-Lbs								
RG420C SR1	Start	37834	72306	98959	125612	152265				
	Min	20331	25716	36693	47670	58647				
	End	34307	36817	55480	74142	92805				
RG420C SR2	Start	42793	63731	90384	117038	143691				
	Min	23934	22492	33469	44446	55423				
	End	42882	31858	50521	69184	87847				
RG420C SR3	Start	52130	53433	80086	106740	133393				
	Min	29373	17626	28603	39579	50556				
	End	53180	22521	41183	59846	78509				
RG420C SR4	Start	59909	46573	73227	99880	126533				
	Min	33509	13926	24903	35879	46856				
	End	60040	14742	33405	52068	70731				
RG420C SR5	Start	66170		66367	93020	119673				
	Min	37145		21649	32626	43602				
	End	66899		27144	45807	64470				
RG420C SR6	Start	80627			82731	109384	136037			
	Min	44265			26255	37232	48209			
	End	77189			31350	50012	68675			
RG420C SR7	Start	89965			72432	99086	125739			
	Min	49704			21388	32365	43342			
	End	87487			22012	40675	59338			
RG420C SR8	Start	97743				92226	118879			
	Min	53839				28665	39642			
	End	94347				32896	51559			
RG516C SR1	Start	60011		65095	88501	111907	135314	182126	240642	
	Min	31677		19855	29495	39134	48774	68053	92152	
	End	51936		21935	38325	54714	71103	103882	144855	
RG516C SR2	Start	79464			60801	84207	107614	154426	212942	271457
	Min	44446			18070	27709	37349	56628	80727	104826
	End	79636			18871	35260	51650	84428	125401	166374
RG516C SR3	Start	96138					97222	144034	202550	261065
	Min	52318					30306	49585	73684	97782
	End	90028					34976	67755	108728	149701
RG516C SR4	Start	112745						130178	188694	247209
	Min	60965						41848	65946	90045
	End	103884						51147	92120	133093
RG516C SR5	Start	139475							161005	219521
	Min	76123							52384	76483
	End	131572							65390	106363
RG516C SR6	Start	172755								195273
	Min	92642								61703
	End	155820								73083
RG518C SR1	Start	60011	66859	96558	126257	155955	185654	245052		
	Min	31677	20582	32813	45044	57275	69506	93968		
	End	51936	23171	43966	64761	85557	106352	147942		
RG518C SR2	Start	79464		68858	98556	128255	157954	217352		
	Min	44446		21388	33619	45850	58081	82543		
	End	79636		24512	45308	66103	86898	128489		
RG518C SR3	Start	96138			88165	117863	147562	206960	281207	
	Min	52318			26576	38807	51038	75500	106077	
	End	90028			28634	49430	70225	111816	163804	
RG518C SR4	Start	112745				104007	133706	193104	267351	
	Min	60965				31069	43301	67763	98340	
	End	103884				32822	53618	95208	147197	
RG518C SR5	Start	139475						165415	239662	
	Min	76123						54200	84778	
	End	131572						68478	120467	
RG518C SR6	Start	172755							215415	
	Min	92642							69998	
	End	155820							87186	
RG520C SR1	Start	60011	94990	131722	168454	205185	241917			
	Min	31677	32167	47295	62422	77549	92677			
	End	51936	42868	68588	94308	120028	145748			
RG520C SR2	Start	79464	67290	104022	140754	177485	214217			
	Min	44446	20742	35870	50997	66124	81252			
	End	79636	23415	49135	74854	100574	126294			
RG520C SR3	Start	96138		93630	130362	167093	203825	277288		
	Min	52318		28826	43954	59081	74209	104464		
	End	90028		32461	58181	83901	109621	161060		
RG520C SR4	Start	112745			116506	153237	189969	263432		
	Min	60965			36217	51344	66472	96726		
	End	103884			41574	67294	93013	144453		
RG520C SR5	Start	139475				125549	162281	235744		
	Min	76123				37782	52909	83164		
	End	131572				40564	66283	117723		
RG520C SR6	Start	172755						211496		
	Min	92642						68384		
	End	155820						84442		

Actuator Model	Spring Torque, in-Lbs	Operating Pressure, psig								
		40	50	60	70	80	100	125	150	
		Torque Output, in-Lbs								
RG522C SR1	Start	60011	126083	170588	215093	259597				
	Min	31677	44972	63301	81630	99958				
	End	51936	64640	95802	126965	158128				
RG522C SR2	Start	79464	98383	142888	187393	231897	276402			
	Min	44446	33547	51876	70205	88533	106862			
	End	79636	45186	76349	107511	138674	169837			
RG522C SR3	Start	96138	87991	132496	177001	221505	266010			
	Min	52318	26504	44833	63161	81490	99819			
	End	90028	28513	59675	90838	122001	153163			
RG522C SR4	Start	112745		118640	163145	207649	252154			
	Min	60965		37096	55424	73753	92082			
	End	103884		43068	74231	105393	136556			
RG522C SR5	Start	139475			135456	179961	224466			
	Min	76123			41862	60191	78519			
	End	131572			47501	78663	109826			
RG522C SR6	Start	172755				155713	200218			
	Min	92642				45410	63739			
	End	155820				45383	76545			
RG618C SR1	Start	116680			123381	161036	198691	274002	368141	462279
	Min	61952			37617	53125	68632	99648	138418	177188
	End	102552			41520	67887	94253	146987	212903	278820
RG618C SR2	Start	183582						198810	292948	387087
	Min	101247						64490	103259	142029
	End	177745						80084	146001	211917
RG618C SR3	Start	218286							251924	346063
	Min	122094							84606	123376
	End	218768							111297	177213
RG618C SR4	Start	260653							224580	318719
	Min	142313							66516	105286
	End	246113							68930	134847
RG618C SR5	Start	300262								284535
	Min	163198								86599
	End	280297								95238
RG620C SR1	Start	116680		130590	177218	223847	270475	363732	480303	
	Min	61952		40586	59789	78992	98196	136602	184610	
	End	102552		46568	79218	111867	144517	209816	291440	
RG620C SR2	Start	183582				148654	195282	288539	405110	521681
	Min	101247				43834	63037	101444	149452	197460
	End	177745				44965	77614	142913	224537	306161
RG620C SR3	Start	218286						247515	364086	480657
	Min	122094						82790	130799	178807
	End	218768						108210	189833	271457
RG620C SR4	Start	260653						220171	336742	453313
	Min	142313						64700	112709	160717
	End	246113						65843	147467	229091
RG620C SR5	Start	300262							302558	419129
	Min	163198							94021	142029
	End	280297							107858	189482
RG620C SR6	Start	334965								378105
	Min	184046								123376
	End	321320								154778
RG622C SR1	Start	116680	123632	180177	236723	293269	349815	462907		
	Min	61952	37720	61008	84295	107583	130871	177446		
	End	102552	41696	81290	120884	160477	200071	279259		
RG622C SR2	Start	183582			161531	218076	274622	387714	529079	
	Min	101247			49137	72425	95712	142287	200507	
	End	177745			53981	93575	133169	212356	311341	
RG622C SR3	Start	218286				177053	233598	346690	488055	
	Min	122094				53771	77059	123634	181853	
	End	218768				58871	98465	177652	276637	
RG622C SR4	Start	260653						319346	460711	
	Min	142313						105544	163763	
	End	246113						135286	234270	
RG622C SR5	Start	300262						285162	426527	
	Min	163198						86857	145076	
	End	280297						95677	194661	
RG622C SR6	Start	334965							385503	526868
	Min	184046							126423	184642
	End	321320							159958	258942

Spring Return Canted Yoke SR - SO

Spring Return Canted Yoke SR - SO

Actuator Model	Spring Torque, in-Lbs	Operating Pressure, psig								
		40	50	60	70	80	100	125	150	
		Torque Output, in-Lbs								
RG624C SR 1	Start	116680	167080	234487	301895	369303	436711			
	Min	61952	55613	83374	111135	138897	166658			
	End	102552	72118	119318	166517	213717	260916			
RG624C SR 2	Start	183582		159295	226703	294110	361518	496334		
	Min	101247		48216	75977	103738	131499	187021		
	End	177745		52415	99615	146814	194014	288413		
RG624C SR 3	Start	218286			185679	253087	320494	455310		
	Min	122094			57324	85085	112846	168368		
	End	218768			64911	112111	159310	253709		
RG624C SR 4	Start	260653				225742	293150	427966		
	Min	142313				66995	94756	150278		
	End	246113				69744	116943	211342		
RG624C SR 5	Start	300262					258966	393782		
	Min	163198					76069	131591		
	End	280297					77334	171733		
RG624C SR 6	Start	334965						352758	521278	
	Min	184046						112937	182340	
	End	321320						137029	255028	
RG628C SR 1	Start	116680	265310	357275	449241	541206				
	Min	61952	96068	133943	171818	209692				
	End	102552	140900	205295	269690	334085				
RG628C SR 2	Start	183582	190117	282082	374048	466013	557979			
	Min	101247	60910	98785	136659	174534	212409			
	End	177745	73997	138392	202787	267182	331577			
RG628C SR 3	Start	218286		241059	333024	424990	516955			
	Min	122094		80131	118006	155881	193755			
	End	218768		103688	168083	232478	296873			
RG628C SR 4	Start	260653		213715	305680	397645	489611			
	Min	142313		62041	99916	137791	175666			
	End	246113		61322	125717	190112	254506			
RG628C SR 5	Start	300262			271496	363461	455427			
	Min	163198			81229	119103	156978			
	End	280297			86108	150503	214898			
RG628C SR 6	Start	334965				322438	414403			
	Min	184046				100450	138325			
	End	321320				115799	180194			
RG724C SR 1	Start	204319		196803	276411	356019	435627	594843	793862	992882
	Min	113469		62402	95188	127973	160759	226329	308293	390257
	End	201236		74391	130133	185875	241617	353101	492456	631811
RG724C SR 2	Start	346391					301464	460679	659699	858719
	Min	191042					91351	156922	238886	320849
	End	335399					99546	211030	350385	489740
RG724C SR 3	Start	401817						407014	606034	805053
	Min	221610						129572	211535	293499
	End	389065						155603	294958	434313
RG724C SR 4	Start	483079							538961	737981
	Min	263756							173826	255790
	End	456137							213696	353051
RG724C SR 5	Start	550710							458463	657483
	Min	304511							137361	219325
	End	536635							146065	285420
RG724C SR 6	Start	606137								603817
	Min	335079								191974
	End	590301								229994
RG728C SR 1	Start	204319	234010	342821	451633	560444	669256	886879		
	Min	113469	77725	122538	167350	212163	256975	346601		
	End	201236	100443	176634	252824	329015	405205	557587		
RG728C SR 2	Start	346391			317469	426281	535092	752715	1024744	
	Min	191042			97943	142756	187568	277193	389225	
	End	335399			110753	186944	263134	415515	605992	
RG728C SR 3	Start	401817				372616	481427	699050	971079	
	Min	221610				115405	160218	249843	361874	
	End	389065				131517	207708	360089	550565	
RG728C SR 4	Start	483079					414354	631977	904006	
	Min	263756					122508	212134	324165	
	End	456137					126446	278827	469303	
RG728C SR 5	Start	550710						551479	823508	1095537
	Min	304511						175669	287700	399731
	End	536635						211196	401672	592149
RG728C SR 6	Start	606137						497814	769843	1041871
	Min	335079						148318	260349	372381
	End	590301						155769	346246	536722

Actuator Model	Spring Torque, in-Lbs	Operating Pressure, psig								
		40	50	60	70	80	100	125	150	
		Torque Output, in-Lbs								
RG732C SR 1	Start	204319	368796	511304	653811	796319	938827			
	Min	113469	133235	191925	250615	309305	367995			
	End	201236	194821	294606	394391	494176	593961			
RG732C SR 2	Start	346391		377140	519648	662156	804664	1089680		
	Min	191042		122518	181208	239898	298588	415968		
	End	335399		152535	252320	352105	451890	651461		
RG732C SR 3	Start	401817		323475	465983	608491	750999	1036014		
	Min	221610		95167	153857	212547	271237	388617		
	End	389065		97108	196894	296679	396464	596034		
RG732C SR 4	Start	483079			398910	541418	683926	968942		
	Min	263756			116148	174838	233528	350908		
	End	456137			115631	215417	315202	514772		
RG732C SR 5	Start	550710				460920	603428	888444		
	Min	304511				138373	197063	314443		
	End	536635				147786	247571	447141		
RG732C SR 6	Start	606137					549763	834778		
	Min	335079					169712	287092		
	End	590301					192144	391715		
RG736C SR 1	Start	204319	521553	702250	882947	1063645				
	Min	113469	196146	270564	344981	419399				
	End	201236	301783	428308	554834	681359				
RG736C SR 2	Start	346391	387390	568087	748784	929481				
	Min	191042	126739	201157	275574	349992				
	End	335399	159712	286237	412763	539288				
RG736C SR 3	Start	401817	333724	514421	695119	875816	1056513			
	Min	221610	99388	173806	248224	322641	397059			
	End	389065	104285	230811	357336	483862	610387			
RG736C SR 4	Start	483079		447349	628046	808743	989440			
	Min	263756		136097	210514	284932	359350			
	End	456137		149549	276074	402600	529125			
RG736C SR 5	Start	550710			547548	728245	908942			
	Min	304511			174049	248467	322885			
	End	536635			208443	334969	461494			
RG736C SR 6	Start	606137			493883	674580	855277			
	Min	335079			146699	221117	295534			
	End	590301			153017	279542	406068			
RG828C SR 1	Start	416932			423121	560358	697594	972067	1315158	1658249
	Min	229163			134073	190592	247111	360149	501447	642744
	End	400298			159632	255726	351820	544008	784243	1024478
RG828C SR 2	Start	650275						731898	1074989	1418080
	Min	361132						242072	383369	524667
	End	640467						310665	550900	791135
RG828C SR 3	Start	833865							914861	1257952
	Min	458326							296406	437703
	End	800595							367311	607546
RG828C SR 4	Start	1030072								1124512
	Min	553526								352525
	End	934035								411338
RG828C SR 5	Start	1067207								1017782
	Min	590295								319626
	End	1040765								374203
RG832C SR 1	Start	416932		500317	680440	860562	1040685	1400931	1851238	
	Min	229163		165865	240046	314227	388409	536771	722224	
	End	400298		213685	339808	465931	592055	844302	1159610	
RG832C SR 2	Start	650275				620393	800516	1160761	1611069	2061376
	Min	361132				196150	270332	418694	604147	789600
	End	640467				232589	358712	610959	926267	1241576
RG832C SR 3	Start	833865						1000633	1450940	1901248
	Min	458326						331730	517183	702636
	End	800595						427369	742678	1057986
RG832C SR 4	Start	1030072						867193	1317500	1767807
	Min	553526						246551	432004	617457
	End	934035						231162	546471	861779
RG832C SR 5	Start	1067207							1210771	1661078
	Min	590295							399106	584559
	End	1040765							509335	824644
RG832C SR 6	Start	1250797							1050643	1500950
	Min	687490							312142	497595
	End	1200893							325745	641054

Canted Yoke SR - SO Spring Return

Actuator Model	Spring Torque, in-Lbs	Operating Pressure, psig								
		40	50	60	70	80	100	125	150	
		Torque Output, in-Lbs								
RG836C SR 1	Start	416932	514612	743340	972067	1200794	1429522	1886977		
	Min	229163	171752	265951	360149	454347	548546	736942		
	End	400298	223694	383851	544008	704164	864321	1184634		
RG836C SR 2	Start	650275		503170	731898	960625	1189352	1646807		
	Min	361132		147874	242072	336270	430469	618865		
	End	640467		150509	310665	470822	630979	951292		
RG836C SR 3	Start	833865				800497	1029224	1486679	2058498	
	Min	458326				249307	343505	531902	767397	
	End	800595				287232	447389	767702	1168094	
RG836CSR 4	Start	1030072					895784	1353239	1925058	
	Min	553526					258326	446723	682219	
	End	934035					251182	571495	971887	
RG836C SR 5	Start	1067207						1246510	1818328	
	Min	590295						413825	649320	
	End	1040765						534360	934751	
RG836C SR 6	Start	1250797						1086381	1658200	
	Min	687490						326861	562357	
	End	1200893						350770	751162	
RG840C SR 1	Start	416932	731903	1014953	1298004	1581054	1864104			
	Min	229163	261241	377811	494382	610952	727522			
	End	400298	375843	574037	772231	970425	1168619			
RG840C SR 2	Start	650275		774784	1057834	1340884	1623934	2190035		
	Min	361132		259734	376305	492875	609445	842586		
	End	640467		340695	538889	737082	935276	1331664		
RG840C SR 3	Start	833865			897706	1180756	1463806	2029907		
	Min	458326			289341	405911	522482	755623		
	End	800595			355299	553493	751687	1148074		
RG840C SR 4	Start	1030072				1047316	1330366	1896467		
	Min	553526				320733	437303	670444		
	End	934035				357285	555479	951867		
RG840C SR 5	Start	1067207				940587	1223637	1789737		
	Min	590295				287834	404405	637545		
	End	1040765				320150	518344	914732		
RG840C SR 6	Start	1250797					1063509	1629609		
	Min	687490					317441	550582		
	End	1200893					334754	731142		

DA - DR
Double Acting
Canted Yoke

	Actuator Model	Pressure Applied On	Position	Operating Pressure, psig							
				40	50	60	70	80	100	125	150
				Torque Output, in-Lbs							
RG106 DA C	Full Piston Side	Start	5054	6318	7582	8845	10109	12636	15795		
		Min	2327	2908	3490	4071	4653	5816	7270		
		End	3539	4424	5309	6194	7078	8848	11060		
	Rod End Side	Start	4947	6184	7420	8657	9894	12367	15459		
		Min	2277	2846	3416	3985	4554	5693	7116		
		End	3464	4330	5196	6062	6928	8660	10825		
RG107 DA C	Full Piston Side	Start	6880	8600	10320	12039	13759	17199			
		Min	3167	3958	4750	5542	6333	7917			
		End	4817	6022	7226	8430	9634	12043			
	Rod End Side	Start	6772	8465	10158	11851	13544	16930			
		Min	3117	3896	4676	5455	6234	7793			
		End	4742	5927	7113	8298	9484	11855			
RG108 DA C	Full Piston Side	Start	8986	11232	13479	15725	17971				
		Min	4136	5170	6204	7238	8272				
		End	6292	7865	9438	11011	12584				
	Rod End Side	Start	8878	11098	13317	15537	17756				
		Min	4087	5108	6130	7151	8173				
		End	6217	7771	9325	10879	12433				
RG109 DA C	Full Piston Side	Start	11373	14216	17059						
		Min	5235	6543	7852						
		End	7963	9954	11945						
	Rod End Side	Start	11265	14081	16898						
		Min	5185	6481	7778						
		End	7888	9860	11832						
RG110 DA C	Full Piston Side	Start	14040	17550							
		Min	6463	8078							
		End	9831	12289							
	Rod End Side	Start	13933	17416							
		Min	6413	8016							
		End	9756	12195							
RG106 DD C		Start	10001	12502	15002	17503					
		Min	4604	5754	6905	8056					
		End	7003	8754	10505	12255					
RG107 DD C		Start	13652	17065							
		Min	6284	7855							
		End	9559	11949							
RG108 DD C		Start	17864								
		Min	8223								
		End	12508								
RG208 DA C	Full Piston Side	Start	10619	13274	15929	18584	21239	26549	33186		
		Min	4888	6110	7332	8554	9776	12220	15275		
		End	7436	9295	11154	13013	14872	18590	23237		
		Start	10454	13067	15680	18294	20907	26134	32667		
		Min	4812	6015	7217	8420	9623	12029	15036		
		End	7320	9150	10979	12809	14639	18299	22874		
	Rod End Side	Start	13440	16800	20160	23521	26881	33601			
		Min	6186	7733	9280	10826	12373	15466			
		End	9411	11764	14116	16469	18822	23527			
		Start	13274	16593	19912	23230	26549	33186			
		Min	6110	7638	9165	10693	12220	15275			
		End	9295	11619	13942	16266	18590	23237			
RG210 DA C	Full Piston Side	Start	16593	20741	24889	29038	33186				
		Min	7638	9547	11456	13366	15275				
		End	11619	14523	17428	20332	23237				
	Rod End Side	Start	16427	20534	24641	28747	32854				
		Min	7561	9451	11342	13232	15122				
		End	11502	14378	17253	20129	23005				
RG212 DA C	Full Piston Side	Start	23894	29867	35841						
		Min	10998	13748	16497						
		End	16731	20913	25096						
	Rod End Side	Start	23728	29660	35592						
		Min	10922	13652	16383						
		End	16614	20768	24922						
RG208 DD C		Start	21073	26341	31610						
		Min	9700	12125	14550						
		End	14756	18444	22133						
RG209 DD C		Start	26715	33393							
		Min	12296	15371							
		End	18706	23382							
RG210 DD C		Start	33020								
		Min	15199								
		End	23121								

DA - DR
Canted Yoke

Double Acting

Actuator Model	Pressure Applied On	Position	Operating Pressure, psig							
			40	50	60	70	80	100	125	150
			Torque Output, in-Lbs							
RG310 DA C	Full Piston Side	Start	19146	23932	28719	33505	38291	47864	59830	71796
		Min	8813	11016	13219	15422	17625	22031	27539	33047
		End	13406	16757	20109	23460	26812	33515	41894	50272
	Rod End Side	Start	18847	23558	28270	32981	37693	47116	58895	70675
		Min	8675	10844	13012	15181	17350	21687	27109	32531
		End	13197	16496	19795	23094	26393	32991	41239	49487
RG312 DA C	Full Piston Side	Start	27570	34462	41355	48247	55140	68925		
		Min	12690	15863	19035	22208	25380	31725		
		End	19305	24131	28957	33783	38609	48261		
	Rod End Side	Start	27271	34088	40906	47724	54541	68177		
		Min	12552	15690	18829	21967	25105	31381		
		End	19095	23869	28643	33416	38190	47738		
RG314 DA C	Full Piston Side	Start	37526	46907	56288	65670				
		Min	17273	21591	25909	30227				
		End	26276	32845	39414	45982				
	Rod End Side	Start	37226	46533	55840	65146				
		Min	17135	21419	25702	29986				
		End	26066	32583	39099	45616				
RG316 DA C	Full Piston Side	Start	49013	61266						
		Min	22560	28200						
		End	34319	42899						
	Rod End Side	Start	48714	60892						
		Min	22422	28028						
		End	34110	42637						
RG310 DD C		Start	37992	47490	56988	66486				
		Min	17487	21859	26231	30603				
		End	26602	33253	39904	46554				
RG312 DD C		Start	54840	68551						
		Min	25242	31553						
		End	38400	48000						
RG414 DA C	Full Piston Side	Start	52536	65670	78804	91938	105072	131340		
		Min	24182	30227	36272	42318	48363	60454		
		End	36786	45982	55179	64375	73572	91965		
	Rod End Side	Start	51933	64916	77899	90882	103865	129832		
		Min	23904	29880	35856	41832	47808	59760		
		End	36364	45455	54546	63636	72727	90909		
RG416 DA C	Full Piston Side	Start	68618	85773	102927	120082	137236			
		Min	31584	39480	47376	55272	63168			
		End	48047	60059	72071	84082	96094			
	Rod End Side	Start	68015	85019	102023	119026	136030			
		Min	31307	39133	46960	54786	62613			
		End	47625	59531	71437	83343	95249			
RG418 DA C	Full Piston Side	Start	86845	108556	130267					
		Min	39974	49967	59961					
		End	60809	76012	91214					
	Rod End Side	Start	86242	107802	129363					
		Min	39696	49620	59544					
		End	60387	75484	90581					
RG420 DA C	Full Piston Side	Start	107216	134020						
		Min	49350	61688						
		End	75073	93842						
	Rod End Side	Start	106613	133266						
		Min	49073	61341						
		End	74651	93314						
RG414 DD C		Start	104469	130586						
		Min	48086	60107						
		End	73150	91437						
RG416 DD C		Start	136633							
		Min	62891							
		End	95672							

Double Acting
 Canted Yoke
 DA - DR

	Actuator Model	Pressure Applied On	Position	Operating Pressure, psig									
				40	50	60	70	80	100	125			150
				Torque Output, in-Lbs									
RG516 DA C	Full Piston Side	Start	94759	118448	142138	165827	189517	236896					
		Min	43616	54520	65424	76328	87232	109040					
		End	66351	82938	99526	116114	132701	165877					
	Rod End Side	Start	93625	117031	140437	163844	187250	234062					
		Min	43094	53868	64642	75415	86189	107736					
		End	65557	81946	98335	114725	131114	163892					
RG518 DA C	Full Piston Side	Start	119929	149911	179893	209875	239857						
		Min	55202	69002	82803	96603	110403						
		End	83975	104969	125963	146956	167950						
	Rod End Side	Start	118795	148494	178193	207892	237590						
		Min	54680	68350	82020	95690	109360						
		End	83181	103977	124772	145567	166363						
RG520 DA C	Full Piston Side	Start	148060	185075	222090	259105							
		Min	68150	85188	102225	119263							
		End	60977	76221	91465	106709							
	Rod End Side	Start	146927	183658	220390	257122							
		Min	67629	84536	101443	118350							
		End	102879	128599	154319	180038							
RG522 DA C	Full Piston Side	Start	179153	223941	268729								
		Min	82462	103077	123693								
		End	125444	156805	188166								
	Rod End Side	Start	178019	222524	267029								
		Min	81940	102425	122910								
		End	124650	155813	186976								
RG516 DD C		Start	188383	235479	282575								
		Min	86711	108388	130066								
		End	131907	164884	197861								
RG518 DD C		Start	238724										
		Min	109882										
		End	167156										
RG618 DA C	Full Piston Side	Start	153013	191266	229519	267772	306025	382531	478164				
		Min	70430	88037	105645	123252	140860	176075	220093				
		End	107141	133926	160711	187496	214281	267851	334814				
	Rod End Side	Start	150622	188277	225933	263588	301243	376554	470693				
		Min	69329	86662	103994	121326	138659	173323	216654				
		End	105466	131833	158200	184566	210933	263666	329583				
RG620 DA C	Full Piston Side	Start	188904	236130	283357	330583	377809	472261					
		Min	86950	108688	130426	152163	173901	217376					
		End	132272	165340	198408	231476	264544	330681					
	Rod End Side	Start	186514	233142	279770	326399	373027	466284					
		Min	85850	107312	128775	150237	171700	214625					
		End	130598	163248	195897	228547	261196	326495					
RG622 DA C	Full Piston Side	Start	228574	285718	342861	400005	457149						
		Min	105210	131512	157815	184117	210420						
		End	160049	200062	240074	280086	320099						
	Rod End Side	Start	226183	282729	339275	395821	452367						
		Min	104109	130137	156164	182192	208219						
		End	158375	197969	237563	277157	316751						
RG624 DA C	Full Piston Side	Start	272022	340028	408033	476039	544045						
		Min	125209	156511	187813	219115	250417						
		End	190472	238090	285708	333326	380944						
	Rod End Side	Start	269631	337039	404447	471855	539263						
		Min	124108	155135	186162	217189	248216						
		End	188798	235997	283197	330396	377596						
RG628 DA C	Full Piston Side	Start	370253	462816	555379								
		Min	170423	213028	255634								
		End	259254	324067	388880								
	Rod End Side	Start	367862	459827	551793								
		Min	169322	211653	253983								
		End	257580	321974	386369								
RG618 DD C		Start	303634	379543	455451	531360							
		Min	139759	174699	209639	244579							
		End	212607	265759	318910	372062							
RG620 DD C		Start	375418	469272	563127								
		Min	172800	216000	259200								
		End	262870	328588	394306								

Double Acting Canted Yoke DA - DR

Actuator Model	Pressure Applied On	Position	Operating Pressure, psig								
			40	50	60	70	80	100	125	150	
			Torque Output, in-Lbs								
RG724 DA C	Full Piston Side	Start	323486	404357	485229	566100	646972	808715	1010894		
		Min	148897	186121	223345	260569	297793	372242	465302		
		End	226507	283134	339761	396388	453015	566268	707835		
	Rod End Side	Start	318431	398039	477647	557255	636863	796079	995098		
		Min	146570	183213	219855	256498	293140	366425	458032		
		End	222968	278710	334452	390194	445936	557420	696775		
RG728 DA C	Full Piston Side	Start	440300	550375	660450	770526	880601	1100751			
		Min	202665	253331	303997	354664	405330	506662			
		End	308302	385377	462452	539528	616603	770754			
	Rod End Side	Start	435246	544057	652869	761680	870492	1088115			
		Min	200338	250423	300508	350592	400677	500846			
		End	304762	380953	457144	533334	609525	761906			
RG732 DA C	Full Piston Side	Start	575086	718858	862629	1006401					
		Min	264705	330881	397058	463234					
		End	402680	503350	604019	704689					
	Rod End Side	Start	570032	712540	855047	997555					
		Min	262379	327973	393568	459163					
		End	399140	498926	598711	698496					
RG736 DA C	Full Piston Side	Start	727843	909804	1091765						
		Min	335017	418772	502526						
		End	509641	637052	764462						
	Rod End Side	Start	722789	903486	1084183						
		Min	332691	415864	499036						
		End	506102	632628	759153						
RG724 DD C		Start	641917	802397	962876	1123355					
		Min	295467	369333	443200	517067					
		End	449475	561844	674213	786582					
RG728 DD C		Start	875546	1094433							
		Min	403003	503754							
		End	613064	766330							
RG828 DA C	Full Piston Side	Start	560382	700478	840573	980669	1120764	1400955	1751194	2101433	
		Min	257937	322421	386906	451390	515874	644843	806054	967264	
		End	392384	490480	588576	686672	784768	980960	1226200	1471439	
		Rod End Side	Start	548946	686182	823419	960655	1097892	1372365	1715456	2058547
			Min	252673	315841	379010	442178	505346	631683	789603	947524
			End	384376	480470	576564	672658	768752	960940	1201175	1441410
	RG832 DA C	Full Piston Side	Start	731928	914910	1097892	1280874	1463856	1829819		
			Min	336897	421122	505346	589571	673795	842244		
			End	512501	640627	768752	896877	1025003	1281253		
		Rod End Side	Start	720491	900614	1080737	1260860	1440983	1801228		
			Min	331633	414542	497450	580359	663267	829084		
			End	504494	630617	756740	882864	1008987	1261234		
RG836 DA C	Full Piston Side	Start	926346	1157933	1389519	1621106	1852692				
		Min	426386	532982	639579	746175	852772				
		End	648635	810793	972952	1135110	1297269				
	Rod End Side	Start	914910	1143637	1372365	1601092	1829819				
		Min	421122	526402	631683	736963	842244				
		End	640627	800783	960940	1121097	1281253				
RG840 DA C	Full Piston Side	Start	1143637	1429546	1715456	2001365					
		Min	526402	658003	789603	921204					
		End	800783	1000979	1201175	1401371					
	Rod End Side	Start	1132201	1415251	1698301	1981351					
		Min	521138	651423	781707	911992					
		End	792776	990969	1189163	1387357					
RG828 DD C		Start	1109328	1386660	1663992	1941324	2218656				
		Min	510610	638263	765915	893568	1021220				
		End	776760	970950	1165140	1359330	1553520				
RG832 DD C		Start	1452419	1815524	2178629						
		Min	668531	835664	1002796						
		End	1016995	1271244	1525492						

Double Acting Canted Yoke DA - DR

Flowserve Corporation

Flow Control
1978 Foreman Drive
Cookeville, Tennessee 38501
Phone: 931 432 4021
Fax: 931 432 3105
www.flowserve.com

Flowserve Ahaus GmbH

Von Braun Straße 19a
D-48683 Ahaus
Germany
Phone: +49 2561 686-0
Fax: +49 2561 686-39

Flowserve Pte. Ltd.

12 Tuas Avenue 20
Republic of Singapore 638824
Phone: 65 862 3332
Fax: 65 862 2800

Flowserve Corporation

1350 North Mountain Springs Parkway
Springville, UT 84663
Phone: 801 489 8611
Fax: 801 489 3719

***To find your local Flowserve representative,
visit www.flowserve.com or call USA 1 800 225 6989***

FCD AXENXX0000-00 06/09 Printed in USA.

Flowserve Corporation has established industry leadership in the design and manufacture of its products. When properly selected, this Flowserve product is designed to perform its intended function safely during its useful life. However, the purchaser or user of Flowserve products should be aware that Flowserve products might be used in numerous applications under a wide variety of industrial service conditions. Although Flowserve can (and often does) provide general guidelines, it cannot provide specific data and warnings for all possible applications. The purchaser/user must therefore assume the ultimate responsibility for the proper sizing and selection, installation, operation, and maintenance of Flowserve products. The purchaser/user should read and understand the Installation Operation Maintenance (IOM) instructions included with the product, and train its employees and contractors in the safe use of Flowserve products in connection with the specific application.

While the information and specifications contained in this literature are believed to be accurate, they are supplied for informative purposes only and should not be considered certified or as a guarantee of satisfactory results by reliance thereon. Nothing contained herein is to be construed as a warranty or guarantee, express or implied, regarding any matter with respect to this product. Because Flowserve is continually improving and upgrading its product design, the specifications, dimensions and information contained herein are subject to change without notice. Should any question arise concerning these provisions, the purchaser/user should contact Flowserve Corporation at any one of its worldwide operations or offices.

© 2009 Flowserve Corporation, Irving, Texas, USA. Flowserve is a registered trademark of Flowserve Corporation.