

# Installation, Operation, Maintenance Instructions

## Low Flow Valves 030 000 Globe Valves

Index	
1	Using Kämmer valves and actuators correctly.
2	Unpacking
3	Installation
4	Quick check
5	Maintenance
6	Remove and install actuator
7	Disassemble and assemble valve
8	Trouble-shooting chart

### 1 USING KÄMMER VALVES AND ACTUATORS CORRECTLY

#### 1.1 General

The following instructions are designed to assist in unpacking, installing and performing maintenance as required on Kämmer products. Product users and maintenance personnel should thoroughly review this bulletin prior to installing, operating or performing any maintenance.



**DANGER:** *In most cases Kämmer valves and actuators are designed for specific applications (e.g. with regard to medium, pressure, temperature). For this reason they should not be used in other applications without first contacting the manufacturer.*

#### 1.2 Terms concerning safety

The safety terms **DANGER**, **WARNING**, **CAUTION** and **NOTE** are used in these instructions to highlight particular dangers and/or to provide additional information on aspects that may not be readily apparent.



**DANGER:** *indicates that death, severe personal injury and/or substantial property damage will occur if proper precautions are not taken.*



**WARNING:** *indicates that death, severe personal injury and/or substantial property damage can occur if proper precautions are not taken.*



**CAUTION:** *indicates that minor personal injury and/or property damage can occur if proper precautions are not taken.*



**NOTE:** *indicates and provides additional technical information, which may not be very obvious even to qualified personnel. Compliance with other, not particularly emphasised notes, with regard to transport, assembly, operation and maintenance and with regard to technical documentation (e.g. in the operating instruction, product documentation or on the product itself) is essential, in order to avoid faults, which in themselves might directly or indirectly cause severe personal injury or property damage.*

#### 1.3 Protective clothing

Kämmer products are often used in problematic applications (e.g. extremely high pressures, dangerous, toxic or corrosive mediums). In particular valves with bellows seals point to such applications. When performing service, inspection or repair operations always ensure, that the valve and actuator are depressurised and that the valve has been cleaned and is free from harmful substances. In such cases pay particular attention to personal protection (protective clothing, gloves, glasses etc.).

#### 1.4 Qualified personnel

Qualified personnel are people who, on account of their training, experience and instruction and their knowledge of relevant standards, specifications, accident prevention regulations and operating conditions, have been authorised by those responsible for the safety of the plant to perform the necessary work and who can recognise and avoid possible dangers.

#### 1.5 Installation



**DANGER:** *Before installation check the order-no, serial-no. and/or the tag-no. to ensure that the valve/actuator is correct for the intended application.*

Do not insulate extensions that are provided for hot or cold services.

Pipelines must be correctly aligned to ensure that the valve is not fitted under tension.

### 1.6 Spare parts

Use only Kammer original spare parts. Kammer cannot accept responsibility for any damages that occur from using spare parts or fastening materials from other manufactures. If Kammer products (especially sealing materials) have been on store for longer periods check these for corrosion or deterioration before using these products. Fire protection for Kammer products must be provided by the end user.

### 1.7 Service / repair

To avoid possible injury to personnel or damage to products, safety terms must be strictly adhered to. Modifying this product, substituting nonfactory parts, or using maintenance procedures other than outlined in this instruction could drastically affect performance and be hazardous to personnel and equipment, and may void existing warranties. Between actuator and valve there are moving parts. To avoid injury Flowserve provides pinch-point-protection in the form of cover plates, especially where side-mounted positioners are fitted. If these plates are removed for inspection, service or repair special attention is required. After completing work the cover plates must be refitted.

Apart from the operating instructions and the obligatory accident prevention directives valid in the country of use, all recognised regulations for safety and good engineering practices must be followed.



**WARNING:** Before products are returned to Kammer for repair or service Kammer must be provided with a certificate which confirms that the product has been decontaminated and is clean. Kammer will not accept deliveries if a certificate has not been provided (a form can be obtained from Kammer).

### 1.8 Storage

In most cases Kammer Products are manufactured from stainless steel. Products not manufactured from stainless steel are provided with an epoxy resin coating. This means that Kammer products are well protected from corrosion. Nevertheless Kammer products must be stored adequately in a clean, dry environment. Plastic caps are fitted to protect the flange faces to prevent the ingress of foreign materials. These caps should not be removed until the valve is actually mounted into the system.

### 1.9 Valve and actuator variations

These instructions cannot claim to cover all details of all possible product variations, nor in particular can they provide information for every possible example of installation, operation or maintenance. This means that the instructions normally include only the directions to be followed by qualified personal where the product is being used for is defined purpose. If there are any uncertainties in this respect particularly in the event of missing product-related information, clarification must be obtained via the appropriate FLOWSERVE sales office.

## 2 UNPACKING

- 2.1 Each delivery includes a packing slip. When unpacking, check all delivered valves and accessories using this packing slip.
- 2.2 Larger valves can be lifted using slings on the yoke rods or, if present, on the lugs provided for this purpose. If slings are used, attach them so that the outer tubing or attaching parts are not damaged.



**WARNING:** If slings are used, be aware that the centre of gravity of the valve may be above the lifting point. In this case, secure or support the valve against rotating, to prevent damage or personnel injury.

- 2.3 Report transport damage to the carrier immediately.
- 2.4 In case of discrepancies, contact your nearest FLOWSERVE sales office.

## 3 INSTALLATION

- 3.1 Clean tubing prior to installing.
  - 3.2 If possible, install the valve in an upright position (actuator on top), to ease maintenance. An upright installation position is important with low-temperature applications, in order to keep the distance between the packing material and the medium as large as possible. The packing material then retains the ambient temperature as much as possible.
- NOTE:** Do not insulate extension bonnets that are provided for hot or cold services
- 3.3 Make sure that sufficient overhead clearance above the actuator is maintained, to allow for disassembly of plug from the valve body (see following table).

Actuator size	Clearance (mm)	Actuator size	Clearance (mm)
37/47	95	P2	140
38/48	140	P3	140
39/49	140	P4	140
39D/49D	140	P5	140

- 3.4 After installing, check direction of flow again. The direction of flow is shown by the arrow on the housing.
- 3.5 If the valve is to be welded into the line, make sure that the valve is shielded from excessive heat.
- 3.6 Connect supply pressure and signal lines. Control valves are supplied with a positioner. The end connections for supply pressure and signal are clearly marked. Actuator and positioner are suitable for max. 4.2 bar (60 psi) supply pressure. If the supply pres-

sure exceeds the pressure specified on the nameplate, a pressure reducing station is required. If instrument air is not available, install an oil separator/air filter in the air inlet line. All connections must be leak free.

#### 4 QUICK CHECK:

Before operating, check the valve as follows:

- 4.1 Open and close the valve, and observe the movement of the actuator stem. The movement must be smooth and linear.
- 4.2 Check for maximum stroke through change of signal (for pneumatic positioners, 0.2 - 1.0 bar or corresponding split-range values; for IP positioners, 4-20 or 0-20 mA).
- 4.3 Check all air connections for leaks.
- 4.4 Tighten packing nut (see table 1).

Thread	Torque	
	PTFE	Grafoil
M20 x 1,5	1	3
M30 x 1,5	6	15
M38 x 1,5	15	35
M45 x 1,5	17	40

**Table 1**



**NOTE:** *An excessively tightened gland nut can cause excessive packing wear and can hinder the free movement of the plug stem.*

- 4.5 Check fail-safe position. To do this, close supply pressure and observe whether the valve opens or closes as defined.
- 4.6 After use at fluctuating temperatures, re-tighten all bolt connections and check for leaks.

#### 5 MAINTENANCE

Check valves for correct functioning at regular intervals (at least once every 6 months) as follows. This check can be made when installed and in many cases without interrupting production. If internal defects are suspected, see section „Disassembly and Assembly of Valve“.

- 5.1 Examine gaskets for leaks and if necessary re-tighten bolts (see Fig. 1).

- 5.2 Check bellows gasket and test connection - if present - for external leaks.
- 5.3 Check valve for damage caused by corrosive residues or corrosive vapours.
- 5.4 Clean valves and repaint as necessary.



**Warning:** *To prevent a buildup of electrostatic charge clean the actuator/valve with a damp cloth only.*

- 5.5 Check gland nut for correct torque (see table 1)..



**NOTE:** *An excessively tightened gland nut can cause excessive packing wear and can hinder the free movement of the plug stem.*

- 5.6 If possible, open and close valve and check for maximum stroke and smooth movement of the plug stem. Irregular movement of the plug stem may indicate internal defects.



**NOTE:** *With graphite packing, irregular movement of the plug stem is normal.*



**WARNING:** *Keep hands, hair, clothing, etc. away from all moving parts. Failure to do so can lead to serious injury.*

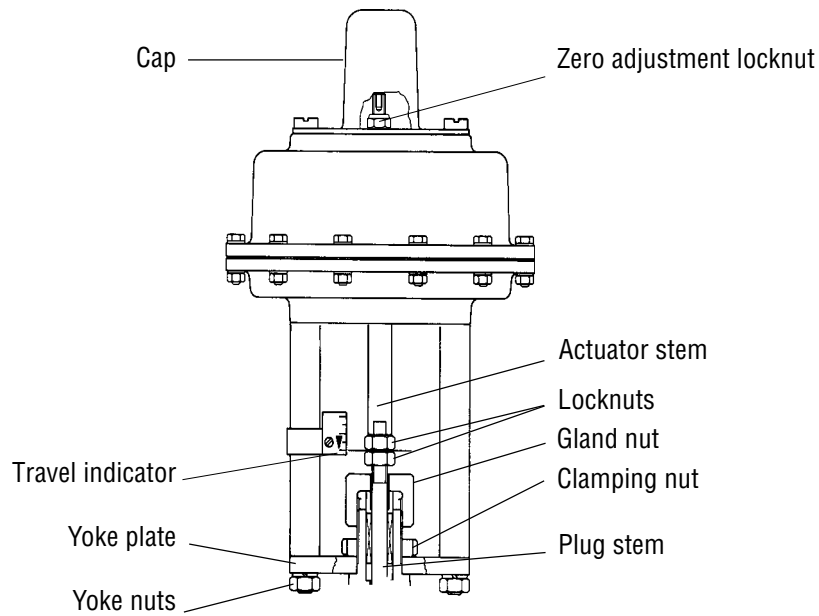
- 5.7 Check all accessories for firm seating.
- 5.8 If possible, close supply pressure and check the fail-safe position.
- 5.10 Check stem boot for wear.
- 5.11 Check actuator for leaks. To do this, spray housing, air connections and plug stem guide with leak spray and check for any bubble formation.
- 5.12 Clean plug stem.
- 5.13 Check air filter, if present, and if necessary replace insert.



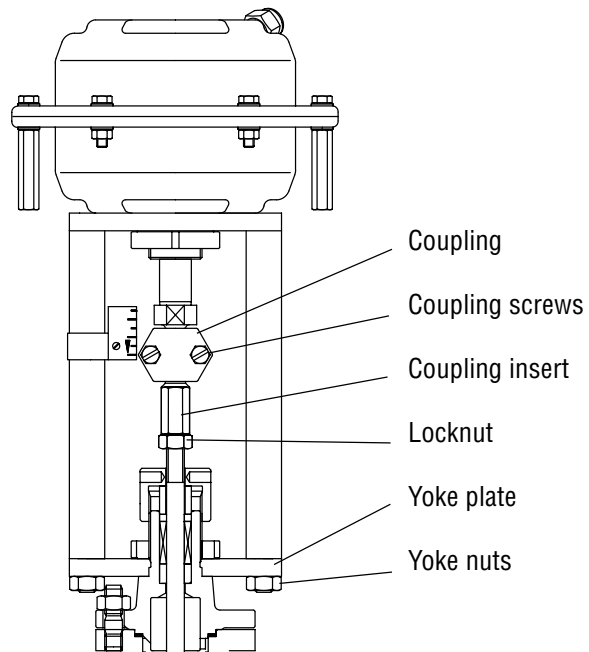
**Note:** *For further information regarding service and maintenance please contact your nearest FLOWSERVE office.*



**DANGER:** *On actuators with aluminium cases the actuator springs must be renewed with original spare parts every 10 years or after 50.000 operating hours which ever occurs first.*



**Actuator series 4**  
**Fig. 1**



**Actuator series 2**  
**Fig. 1a**

## REMOVE AND INSTALL ACTUATOR

### General Information

We recommend separating the actuator from the valve during all repair work. However, many maintenance and adjusting operations can be carried out in an installed condition.

#### 6.1 Remove series 4 actuator

(see Fig 1 + 2)

For series 2 actuator see 6.3

For actuators with spring-to-close, go to 6.1.1

For actuators with spring-to-open, go to 6.1.2

##### 6.1.1 Shut off air supply.



**WARNING:** Depressurise the line to atmospheric pressure and drain all fluids from the valve before working on the actuator. Failure to do so can cause serious injury.

6.1.2 Remove cap and nameplate. Tighten zero adjusting nut until it just touches the surface of the spring housing. This relieves the plug from actuator spring pressure. If the actuator is fitted with a handwheel this can be used to relieve the plug from actuator spring pressure.

6.1.3 Using a wrench, secure the actuator stem against turning and using a second wrench loosen the stem locknuts. If the actuator is fitted with a coupling refer to the procedure described in the maintenance instructions for the I/P actuator.



**CAUTION:** The actuator stem must not be rotated, as this will cause damage to the diaphragm.

6.1.4 Loosen gland and clamp nuts.

6.1.5 Secure plug stem against turning and unscrew actuator from plug stem by rotating counter-clockwise.



**CAUTION:** Ensure that the plug assembly is not rotated with the plug seated. This may cause irreparable damage to the seating faces.

6.1.5 Remove actuator and remove at the same time locknut, travel indicator disc, gland nut and clamp nut.

#### 3.2 Install series 3 actuator

##### Information:

- Before the actuator is installed, it must be calibrated according to section 3 of the instructions „Pneumatic and Electro-pneumatic Actuators“.
- All worn or damaged parts must be replaced. Reusable parts must be clean.

6.2.1 Position actuator with clamp nut, gland nut, locknuts and travel indicator disc on the valve.

##### 6.2.2 Only for „spring-to-close“ actuators:

Screw actuator onto plug stem by rotating clockwise, until the yoke plate just touches the valve housing and the actuator is aligned forward. If the actuator is fitted with a coupling refer to the procedure described in the maintenance instructions for the I/P actuator.



**CAUTION:** Ensure that the plug assembly is not rotated with the plug seated. This may cause irreparable damage to the seating faces.

##### Only for „spring-to-open“ actuators:

Lift plug stem and screw it into the lower coupling half until the distance between „plug in seat“ and „plug raised“ approximately corresponds to the specified stroke.

6.2.3 Tighten clamp nut and gland nut.

6.2.4 Adjust seat tightness by screwing/unscrewing the plug stem in/out of the actuator stem.

**CAUTION:** Ensure that the plug assembly is not rotated with the plug seated. This may cause irreparable damage to the seating faces. Open valve, make adjustment, close valve and check for leaks. If the valve is fitted with a bellows seal the plug stem may NOT be rotated at all. In the case of a bellows seal adjustments are made with the coupling.



6.2.5 After adjusting, secure the locknuts and the travel indicator disc lying between them against actuator stem and align the travel indicator on the yoke rod.

#### 6.3 Remove series 2 actuator

(see Fig. 1a)

For series 4 actuator see 6.1

6.3.1 Shut off air supply.



**WARNING:** Depressurise the line to atmospheric pressure and drain all fluids from the valve before working on the actuator. Failure to do so can cause serious injury.

6.3.2 Disconnect all tubing.

6.3.3 Remove 2 screws and remove coupling.

6.3.4 Remove yoke rod retaining nuts and lift actuator assembly from the valve.

6.3.5 Remove coupling insert and it's locknut from plug stem.



**NOTE:** Ensure that the plug assembly is not rotated with the plug seated. This may cause irreparable damage to the seating faces.

#### 6.4 Install series 2 actuator

(see Fig. 1a)

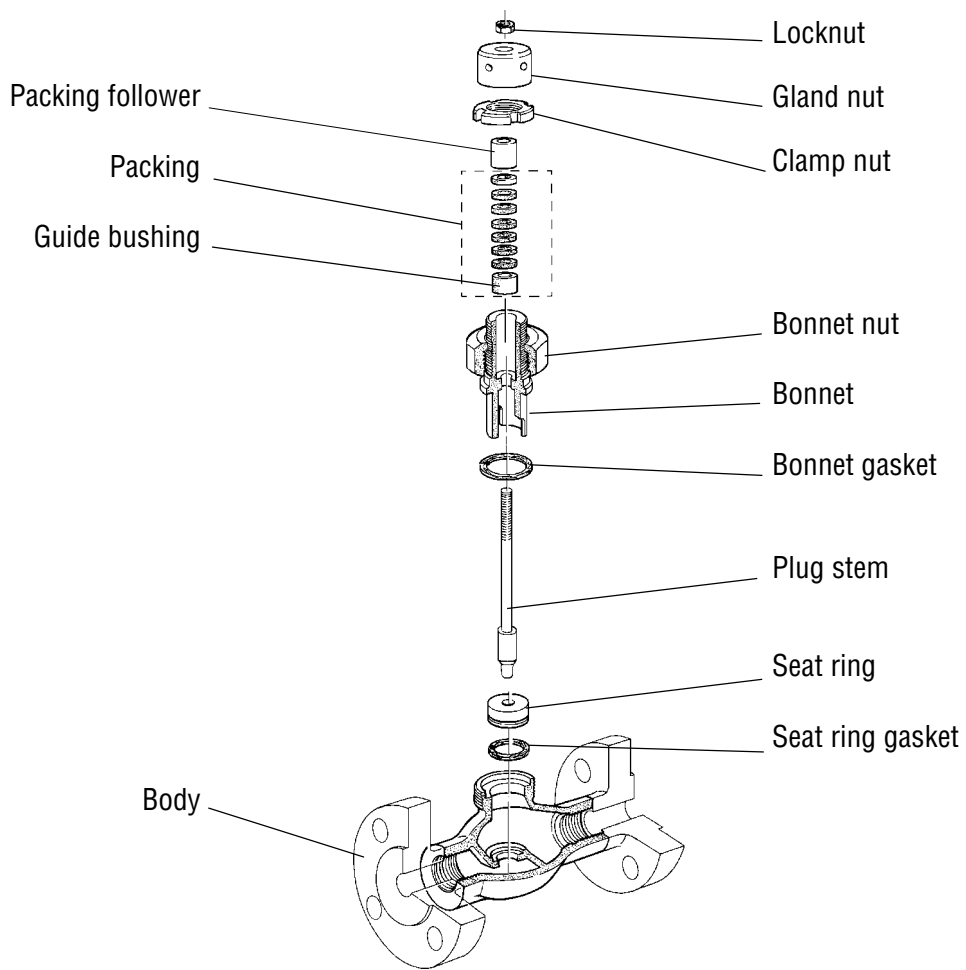
The actuator stem must be fully extended:

Actuators with air-to-open action must be fully vented. Actuators with air-to-close action apply supply pressure.

Manually depress the plug stem to ensure the plug is fully seated.

6.4.1 Screw coupling insert locknut and coupling insert as far as possible onto plug stem.

6.4.2 Place the actuator assembly on the valve engaging the yoke rod threads in the lower yoke plate and ensuring the actuator faces in the correct direction.



**Typical valve configuration  
Fig. 1**

## 7 DISASSEMBLE AND ASSEMBLE VALVE

### General Information

We recommend separating the actuator from the valve before commencing repair work.

However, many maintenance and adjusting operations can be carried out with the valve installed.



**NOTE:** *Never rotate the plug or perform any service on the valve while the plug is seated in the seat ring. Doing so may cause irreparable damage to the trim set. To ensure against this, always hold the plug out of the seat while working on the valve assembly.*

### 7.1 Disassemble valve

- 7.1.1 Disconnect actuator from valve body
- 7.1.2 Hold the plug out of the seat. Using a 41 mm wrench loosen and unscrew the bonnet nut and remove the bonnet from the valve.
- 7.1.3 Carefully extract the plug from the bonnet. Note that the threaded section of the plug stem is slightly smaller in diameter than the guided section, this helps prevent damage to the packing when removing the plug from the bonnet.
- 7.1.4 Remove the packing follower, packing rings and guide bushing and clean the packing chamber.
- 7.1.5 Remove the bonnet gasket.
- 7.1.6 Remove seat and seat gasket.
- 7.1.7 Clean and inspect all parts.

### 7.2 Assemble valve

**Attention:** All worn or damaged parts must be replaced. Reusable parts must be clean. All consumable items such as seals, and gaskets must always be renewed.

- 7.2.1 Replace seat gasket and seat ring.
- 7.2.2 Replace bonnet gasket.
- 7.2.3 Insert the plug into the bonnet. Install the guide bushing into the packing chamber with bevelled end facing down and insert the bonnet in the valve body.
- 7.2.4 Coat the bonnet nut threads with a small amount of lubricant. Hold the plug stem fully retracted in the bonnet and thread the bonnet nut onto the body. Using a 41 mm torque wrench torque the bonnet nut to 150 Nm.

- 7.2.5 Replace packing by inserting packing rings one at a time tapping each one down with a suitable bushing. **NOTE:** *ensure that the gaps in the packing rings are distributed evenly around the circumference in the packing box (gaps not in line).*



*Different packings and fitting sequence is shown in the spare parts list.*

- 7.2.6 Insert packing follower. Fit gland nut for transport purposes only. Gland nut to be fitted correctly and tightened down when the actuator is mounted.



**Regional Headquarters****Flowserve**

Manderscheidstr. 19  
45141 Essen  
Germany  
Telephone: +49 (0) 201 8919 5  
Facsimile: +49 (0) 201 8919 662

**Flowserve**

1350 N. Mt. Springs Prkwy.  
Springville, UT 84663  
USA  
Telephone: +1 801 489 8611  
Facsimile: +1 801 489 3719

**Flowserve**

12 Tuas Avenue 20  
  
Singapore 638824  
Telephone: +65 862 3332  
Facsimile: +65 862 4940

**Main Sales Offices (Europa, Middle east, Africa)****Flowserve**

von-Braun-Straße 19a  
48681 Ahaus  
Germany  
Telephone: +49 (0) 2561 6860  
Facsimile: +49 (0) 2561 68648

**Flowserve**

12, av. du Québec  
91965, Courtaboeuf Cedex  
France  
Telephone: +33 (0) 1 60 923 251  
Facsimile: +33 (0) 1 60 923 299

**Flowserve**

Station Road  
Persnore, Worcestershire  
England WR102BZ  
Telephone: +44 (0) 1386 55 45 51  
Facsimile: +44 (0) 1386 55 49 68

**Flowserve**

Allee du Quartz 1  
CH-2300 La-Chaux-de Fonds  
Switzerland  
Telephone: +41 (0) 32 925 9700  
Facsimile: +41 (0) 32 926 5422

**Flowserve**

Cnr. Bismit and Granier Str.  
Jet Park Ext 3  
Boksburg  
1459 Gauteng  
South Africa  
Telephone: +27 397-3150  
Facsimile: +27 397-5300/01/02

**Flowserve**

C/O Saleh & Abdulaziz Abahsain  
P.O. Box 209  
  
Al Khobar 31952  
Saudi Arabia  
Telephone: 9663 857 3442  
Facsimile: 9663 859 5284