

# TECHNICAL MANUAL

## Rotary Valve Maxflo “+” 60° and 80° Opening type NT

### 1- INSTALLATION

- 1.1 - Valve pipe-work layout
- 1.2 - Specification check
- 1.3 - Installing the valve in the piping
- 1.4 - Connection to control system

### 2 - START-UP

- 2.1 - No fluid in the system
- 2.2 - Fluid in the system

### 3 - MAINTENANCE

- 3.1 - Maintenance of the stuffing box
- 3.2 - Maintenance of. the body assembly
- 3.3 - Maintenance of the actuator diaphragm

### 4 - VALVE MODIFICATION

- 4.1 - Changing valve action -Actuator/HandwheelTravel limiter/ KPP - KPE positioners
- 4.2 - Changing the position of the actuator without changing the direction of action of the valve
- 4.3 - Modification of “flow/signal” law
- 4.4 - Calibration
- 4.5 - Modification of valve capacity
- 4.6 - Replacement of 600 rotary actuator with an 800 rotary actuator

## Maxflo NT Technical Manual

### 1 - INSTALLATION

#### 1.1 - VALVE PIPE-WORK LAYOUT

- A sufficient straight length of piping should be provided upstream and downstream of the valve so as not to affect the fluid flow.
- If block valves are to be installed very close to the control valves, they should be of the full-bore type.
- If piping upstream and downstream of the valve contains reducers, make allowance for their pressure drop factor.
- Adhere to the dismantling dimension shown on the dimensional drawings. Provide access to the handwheel (operation) and the positioner (adjustment).
- The actuator should preferably be mounted vertically. Never consider it to be a fixed point and ensure that the valve and piping are supported.

#### 1.2 - SPECIFICATION CHECK

- Check the specifications on the manufacturer's name plate (fig. 8) for conformity.
- Note the **Code - Serial N° - Reference N° OC** .....

These reference numbers should be quoted

- in all correspondence concerning this valve
- when all or only part of the material is returned
- in any "spare parts" order

#### 1.3 - INSTALLING THE VALVE IN THE PIPING

- Comply with the flow direction (arrow on the valve body) (fig. 7).
- The gaskets should be suitable for the type of connections being used.
- The piping should be cleaned before

installation, in order to eliminate any foreign matter.

- Check that the flanges (Series - PN - DN - Gasket bearing surfaces) are compatible with those of the valve, that they are correctly aligned, that their surfaces are parallel and that the face-to-face dimension is compatible with that of the valve.
- Connection bolt : see table (fig. 2).

#### 1.4 - CONNECTION TO CONTROL SYSTEM

Ensure that the maximum supply pressures are not exceeded :

1"valve	1.4 bar
1 1/2 valve	2.1 bar
2 to 12" valve	3.0 bar

### 2 - START-UP

#### 2.1 - NO FLUID IN THE SYSTEM

- Check the compressed air supply circuits, the pneumatic or electric control circuits, and then check that the valve operates correctly (operation direction - control signal). If the valve is fitted with a pneumatic positioner with by-pass, the first check should be carried out in the by-pass position.
- Check for tightness of the stuffing box. Caution the stuffing box will reach its best performance after a running-in period (about 100 operations). Excessive tightening of the stuffing box will result in operating faults (hysteresis) without resulting in any better results subsequently. It is not unusual for a slight leak to occur on start-up.

**Maxflo NT Technical Manual****2.2 - FLUID IN THE SYSTEM**

- In the case of a valve installed with a by-pass, keep the control valve closed, open the block valves, then open the control valve and then close the by-pass valve.
- Adhere to the service conditions used to specify the control valve (pressure - temperature -  $\Delta p$  - flow...). Temperature rise should be progressive to avoid thermal shock.
- Should the manually-controlled valve become jammed, do not exert too much strength on the handwheel so as not to damage the equipment if the valve is jammed by foreign matter.

**3 - MAINTENANCE****3.1 - MAINTENANCE OF THE STUFFING BOX**

When it is no longer possible to tighten the braid-equipped stuffing box, it may be re-packed. Isolate the control valve, and progressively loosen the stuffing box to allow pressure to escape. Re-pack with one or two packing pieces (chamfered on the long edge). Re-tighten and return to service.

**3.2 - MAINTENANCE OF THE BODY ASSEMBLY**

Inspection of parts inside the assembly necessitates disconnecting the valve from the piping.

**3.3 - MAINTENANCE OF THE ACTUATOR DIAPHRAGM**

The diaphragm requires no maintenance. If the actuator is opened up for inspection or to change the diaphragm, loosen the long screws which pre-stress the spring last of all. On the assembly, tighten them first, without forgetting to replace the safety plates (ref. 63 fig. 1). This operation may be performed without shutting the valve if it is fitted with a handwheel ; the shut-off valve can be maintained in position by using ft.

**4 - VALVE MODIFICATION****4.1 - CHANGING VALVE ACTION****4.1.1 - Reversing the actuator NR**

Dismantle the diaphragm box. Check that its spring scale is compatible with the new direction of operation. If necessary, change the spring.

Re-assemble the diaphragm box on the opposite side.

**4.1.2 - Actuator with handwheel and/or stops**

Reverse the position of the handwheel and/or stops after changing the valve's direction of operation.

The valve is supplied with a stop (ref. 65 fig. 1) in order to protect the plug. It is adjusted in the factory. This stop function may be performed by the handwheel, in which case the end-setting is factory adjusted.

In the case of reversal and/or dismantling, check and readjust if necessary on re-assembly.

**4.1.3 - Actuator equipped with a positioner KPP or KPE**

Refer to technical manual NT 50-172

**4.2 - CHANGING THE POSITION OF THE ACTUATOR WITHOUT CHANGING THE DIRECTION OF ACTION OF THE VALVE (fig. 6)**

Disconnect the crank, the stuffing box and the two fixing nuts, lift off the diaphragm box arch assembly and rotate it so as to bring it to the desired position.

**4.3 - MODIFICATION OF FLOW/SIGNAL LAW**

This may be performed by using the cam positioners; KPP or KPE.

## Maxflo NT Technical Manual

The characteristics should be selected from the table shown on the units (self-adhesive label).

### 4.4 - CALIBRATION

After performing any operation on a positioner, recalibrate the unit (position - cam - zero - scale).

### 4.5 - MODIFICATION OF VALVE CAPACITY (see fig. 1-3-4-5)

To change it, it suffices simply to replace the seat, the plug remaining the same.

Ascertain that the plug is well free of the seat - Valve opening by depressurization : disconnect the air inlet on the actuator. - Valve closing by depressurization : supply the actuator diaphragm box ( $p \leq 1$  bar).

Unscrew the locking nut (46).

Remove the seat (47) and the packing washer (48).

#### 4.5.1 - Sealing $\leq 0.05\%$ Cv on metal bearing face

- Enter the new seat into the body systematically interposing a 1 /10 mm packing washer between seat and body.
- Install the plug on the seat :
  - Supplying the actuator with 1 bar in the case of a valve OPENING BY DEPRESSURIZATION
  - Disconnecting the air inlet to the actuator in the case of a valve CLOSING BY DEPRESSURIZATION
- At the valve closing position, the spherical part of the plug must coincide with the axis of the pipework. The estimation of the clearance between the plug and the bearing on the seat allows the correct positioning of both these parts with respect to each other to be checked.

The capability of adding one or more packing washers allows the optimum contact to be sought.

- Open then abruptly close the plug in the closing position in order to obtain self-centring of the seat.
- Lock the nut (46) at the same time respecting the tightening torques specified in paragraph 4.5.3.

At the closing position, the sphere axis must not exceed the seat axis. A slight lead in the closing is rather desirable (fig. 3).

A visual examination of the bearing with a light, at the back of the plug, allows the grade of contact to be estimated.

This normal mounting, without looking for too fine a contact, allows a maximum leak equal to 0.05 % of the Cv to be obtained.

#### 4.5.2 - Sealing $\leq 0.01\%$ on metal bearing face (according to ANSI B 16-104)

- **Remark** : To obtain a leak rate  $\leq 0.01\%$  of the Cv of the valve, it is necessary to still further adjust the position of the seat with reference to the plug than required for the case obtaining a leak  $\leq 0.05\%$  of the Cv.

To do so, it is necessary to use one of the packing shims, whose choice is made as follows (fig. 4)

##### . Measurement X1

- no shim between seat and body
- no plug in the piping axis

##### . Measurement X2

- no shim between seat and body
- with plug in piping axis

- . The difference X1 - X2 provides the thickness of the shims to be added between seat and body so that, the valve being in the axis of the piping, it bears perfectly on the seat.

## Maxflo NT Technical Manual

- Insert the new seat into the body interposing the required shim thickness (X1 - X2).
- Install the plug on the seat :
- Supply the actuator at 1 bar in the case of a valve OPENING BY DEPRESSURIZATION
- Disconnect the air inlet to the actuator in the case of a valve CLOSING BY DEPRESSURIZATION
- Open, then bring the plug sharply into the closing position to obtain self-centring of the seat. Simultaneously lock nut (46) respecting the tightening torques specified in paragraph 4.5.3.
- This type of assembly with investigation into the thickness of the shims to be inserted between seat and body can easily obtain a **max. leak rate  $\leq 0.01$  % of the Cv.**

### 4.5.3 - Tightening torques for the seats

Diameter Inches	Torque mks
1"	5,5
1" 1/2	14
2"	21
3"	55
4"	58
6"	130
8"	95
10"	75
12"	102

## 4.6 - REPLACEMENT OF 60° ROTARY ACTUATOR WITH AN 80° ROTARY ACTUATOR (increase inflow coefficient Cv)

### 4.6.1 - Actuator replacement

- Remove the diaphragm box. Check that its scale is compatible with the pressure drop limitations for an 800 rotary actuator. If necessary, change the spring or the power supply (see data sheet).
- Uncouple the crank, the stuffing box, the fixing nuts and the travel indicator. Remove the casing.
- Couple the casing, the crank corresponding to the 80° rotary actuator, the stuffing box, the fixing nuts and the travel indicator.
- Assemble the diaphragm box in the desired direction of action. Couple the crank.

### 4.6.2 - Actuator with handwheel and/or stops

- Replace the handwheel and/or stops with those corresponding to the 8011 rotary actuator.
- Adjust the travel limiter (ref. 69 fig. 1) and/or the stop (ref. 65 fig. 1) to protect the plug on closing.

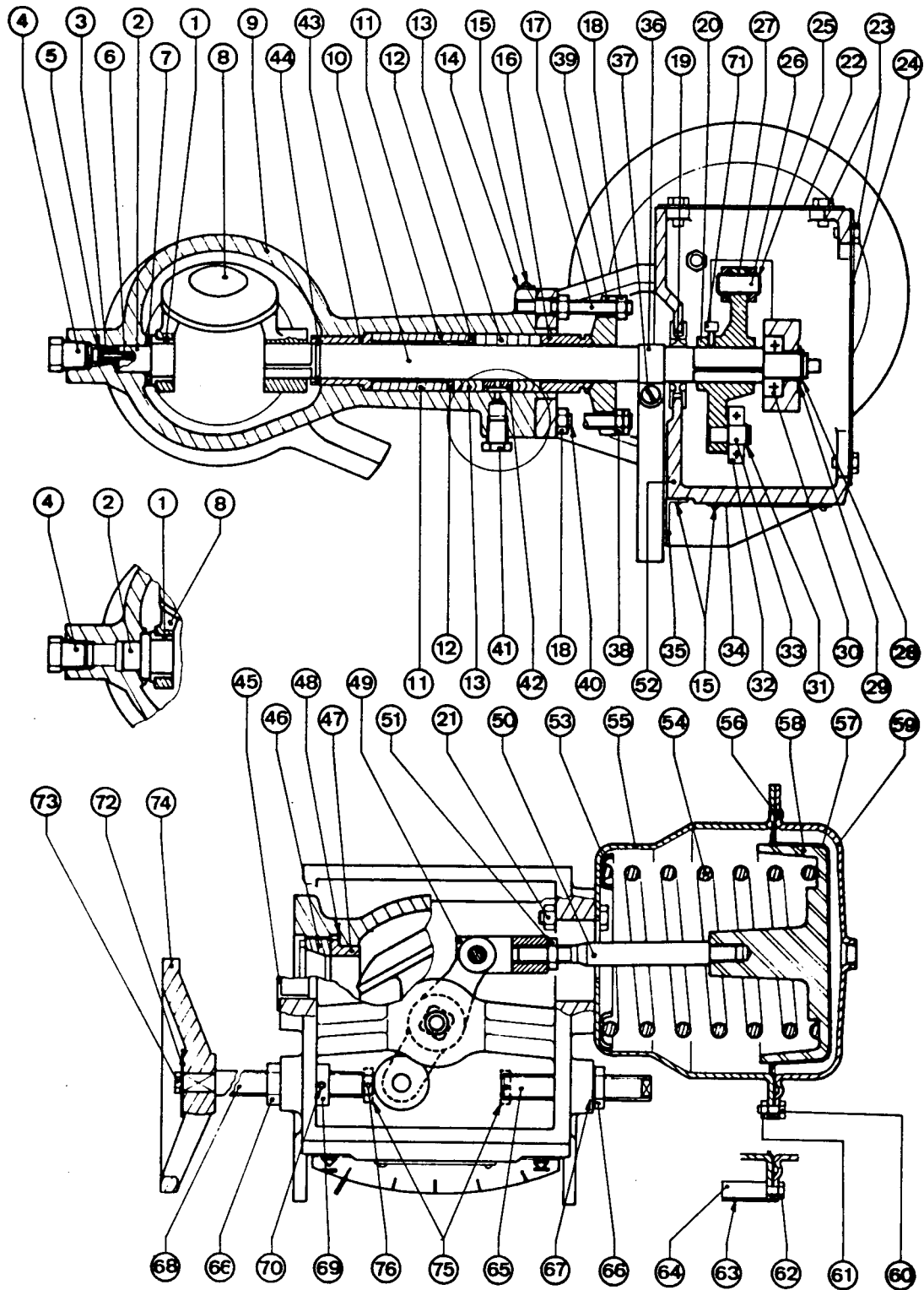
### 4.6.3 - Actuator with KPP or KPE positioner

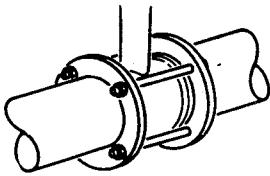
- Replace the unit's support plate with that corresponding to the KPP or KPE positioner on the 800 rotary actuator.
- If necessary, modify the unit's support plate in the 600 rotary actuator assembly kit as per instructions in fig. 9.
- Assemble and recalibrate the unit (Zero - Scale).

**Maxflo NT Technical Manual****LIST OF ITEMS**

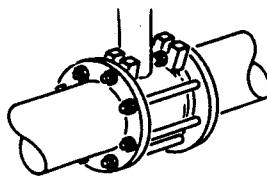
- 1 - Plug ring
- 2 - Pivot
- 3 - Locking cone
- 4 - Briggs plug
- 5 - Lock washer
- 6 - Pivot locking screw
- 7 - Thrust washer
- 8 - Plug
- 9 - Body
- 10 - Control shaft
- 11 - Spacer
- 12 - Backing washer for stuffing box
- 13 - Packing
- 14 - Marker arrow direction of fluid flow
- 15 - Rivets
- 16 - stuffing box bush
- 17 - Stud bolt for stuffing box
- 18 - H nuts (for stuffing box)
- 19 - Shaft gasket
- 20 - Crank
- 21 - Diaphragm box locking nut
- 22 - Protective plate
- 23 - Plate screw
- 24 - Protective plate
- 25 - Crank shaft circlips
- 26 - Crank shaft
- 27 - Crank friction ring
- 28 - Shaft holding circlips
- 29 - Shaft holding washer
- 30 - Ball bearing
- 31 - Roller axle circlips
- 32 - Support roller
- 33 - Roller axle
- 34 - Name plate
- 35 - Travel indicator plate
- 36 - Travel pointer
- 37 - Pointer screw
- 38 - Nuts Hm (double stuffing box) (optional)
- 39 - Stuffing box flange
- 40 - Stud bolts for casing
- 41 - Briggs plug (optional)
- 42 - Cage (optional)
- 43 - Shaft guide
- 44 - Stop ring
- 45 - Plug
- 46 - Seat nut
- 47 - Seat
- 48 - Packing washer
- 49 - Fork
- 50 - Linking rod
- 51 - Fork bolt Hm
- 52 - Case
- 53 - Spring bearing cup
- 54 - Spring
- 55 - Diaphragm box body
- 56 - O-ring seal
- 57 - Diaphragm
- 58 - Diaphragm box piston
- 59 - Diaphragm box cover
- 60 - Diaphragm box screw
- 61 - Diaphragm box screw nut
- 62 - Spring pre-tensioning screw
- 63 - Safety plate
- 64 - Protected pipe
- 65 - Stop screw
- 66 - Lock nut
- 67 - Tab washer
- 68 - Handwheel screw
- 69 - Travel limiter
- 70 - Limiter locking screw
- 71 - Crank lock screw
- 72 - Open/closed indicator plate
- 73 - Handwheel screw
- 74 - Handwheel
- 75 - Pad (80\* rot. actuator)
- 76 - Pin (800 rot. actuator)

*Maxflo NT Technical Manual*

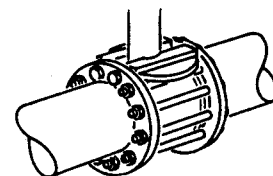


**Maxflo NT Technical Manual****MOUNTING STYLE**

With tie-rods  
for sizes 1", 1"1/2 and 2"



With tie-rods and short studs  
for sizes 3" and 4"



With tie-rods, threaded spacer pieces  
and screws for sizes 6" to 12"



## Maxflo NT Technical Manual

### PIPING FASTENERS (not supplies with valve)

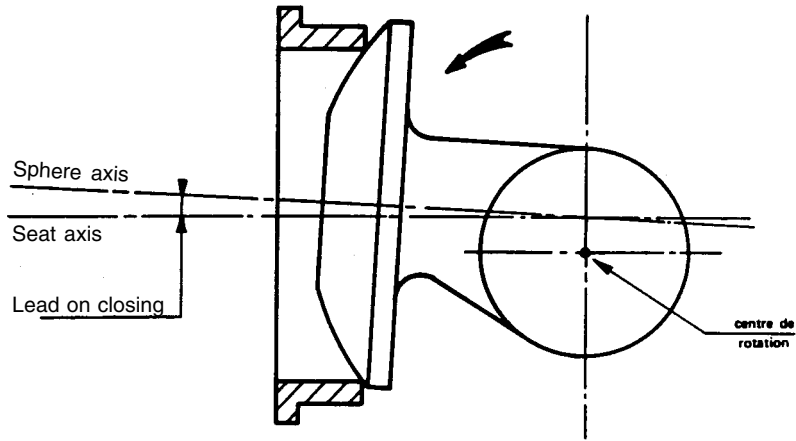
Diameter		AFNOR/DIN/UNI : PN				ANSI Série (ISO PN)				
Inches	mm	10	16	25	40	64	100	150(20)	300(50)	600(100)
1"	25	4T (L=180 ; ØM12) 8E				4T (L=200 ; ØM16) 8E		4T (L=180 ; ØM14) 8E	4T (L=200 ; ØM16) 8E	
1 1/2"	40	4T (L=200 ; ØM16) 8E				4T (L=230 ; ØM20) 8E		4T (L=195 ; ØM14) 8E	4T (L=230 ; ØM20) 8E	
2"	50	4T (L=230 ; ØM16) 8E				4T (L=240 ; ØM20) 8E	4T (L=240 ; ØM24) 8E	4T (L=230 ; ØM16) 8E	7T (L=230 ; ØM16) 2T (L= 97 ; ØM16) 18E 4RM	
3"	80	7T (L=260 ; ØM16) 2T (L=101 ; ØM16) 18E 4RL				7T (L=300 ; ØM20) 2T (L=120 ; ØM20) 18E 4RM	Note 1	4T (L=260 ; ØM16) 8E	7T (L=300 ; ØM20) 2T (L=120 ; ØM20) 18E 4RM	
4"	100	7T (L=290 ; ØM16) 2T (L=101 ; ØM16) 18E 4RLL	7T (L=310 ; ØM20) 2T (L=120 ; ØM20) 18E 4RL		7T (L=320 ; ØM24) 2T (L=127 ; ØM24) 18E 4RM	7T (L=335 ; ØM27) 2T (L=144 ; ØM27) 18E 4RM	7T (L=290 ; ØM16) 2T (L=101 ; ØM16) 18E 4RLL	7T (L=310 ; ØM20) 2T (L=120 ; ØM20) 18E 4RL	7T (L=355 ; ØM24) 2T (L=140 ; ØM24) 18E 4RM	
6"	150	6T (L=335 ; ØM20) 4V (L=70 ; ØM20) 12E	6T (L=350 ; ØM24) 4V (L=70 ; ØM24) 12E		6T (L=395 ; ØM30) 4V (L=80 ; ØM30) 12E	10T (L=395 ; ØM30) 4V (L=90 ; ØM30) 20E	6T (L=335 ; ØM20) 4V (L=70 ; ØM20) 12E	10T (L=360 ; ØM20) 4V (L=80 ; ØM20) 20E	10T (L=410 ; ØM27) 4V (L=90 ; ØM27) 20E	
8"	200	6T (L=350 ; ØM20) 4V (L=80 ; ØM20) 12E	10T (L=350 ; ØM20) 4V (L=80 ; ØM20) 20E	10T (L=370 ; ØM24) 4V (L=90 ; ØM24) 20E	10T (L=385 ; ØM27) 4V (L=70 ; ØM27) 20E	10T (L=450 ; ØM33) 4V (L=90 ; ØM33) 20E		6T (L=360 ; ØM20) 4V (L=80 ; ØM20) 12E	10T (L=400 ; ØM24) 4V (L=100 ; ØM24) 20E	10T (L=440 ; ØM30) 4V (L=100 ; ØM30) 20E
10"	250	10T (L=385 ; ØM20) 4V (L=80 ; ØM20) 20E	10T (L=410 ; ØM24) 4V (L=90 ; ØM24) 20E	10T (L=410 ; ØM27) 4V (L=90 ; ØM27) 20E	10T (L=430 ; ØM30) 4V (L=90 ; ØM30) 20E	10T (L=450 ; ØM33) 4V (L=90 ; ØM33) 20E	10T (L=480 ; ØM36) 4V (L=110 ; ØM36) 20E	10T (L=405 ; ØM24) 4V (L=90 ; ØM24) 20E	14T (L=440 ; ØM27) 4V (L=110 ; ØM27) 28E	14T (L=490 ; ØM33) 4V (L=120 ; ØM33) 28E
12"	300	Note 2	10T (L=410 ; ØM24) 4V (L=80 ; ØM24) 24E	14T (L=440 ; ØM27) 4V (L=90 ; ØM27) 28E	14T (L=455 ; ØM30) 4V (L=90 ; ØM30) 28E	14T (L=480 ; ØM33) 4V (L=100 ; ØM33) 28E	14T (L=525 ; ØM39) 4V (L=120 ; ØM39) 28E	10T (L=430 ; ØM24) 4V (L=85 ; ØM24) 20E	14T (L=470 ; ØM30) 4V (L=110 ; ØM30) 28E	18T (L=510 ; ØM33) 4V (L=120 ; ØM33) 36E

**Fig. 2**

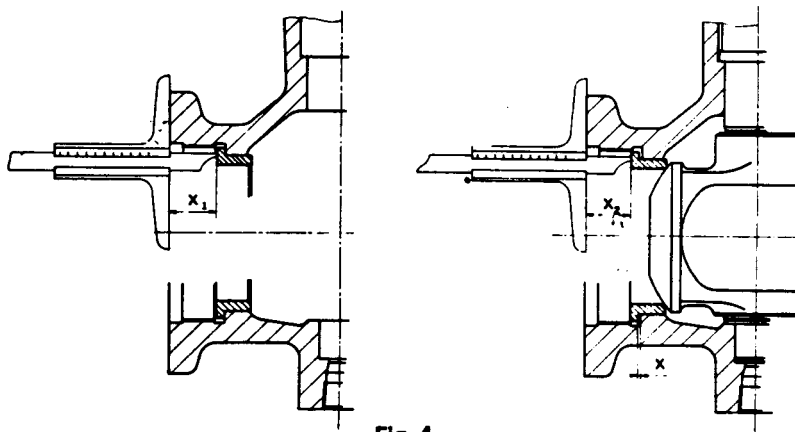
T : Tie-rod (NFE 25135)- V : srews (NFE 27311  
E : Nut Hh (NFE 27411) - R: Washer (NFE 25513)

Note 1 : Installation only on request  
Note 2 : Installation not feasible.

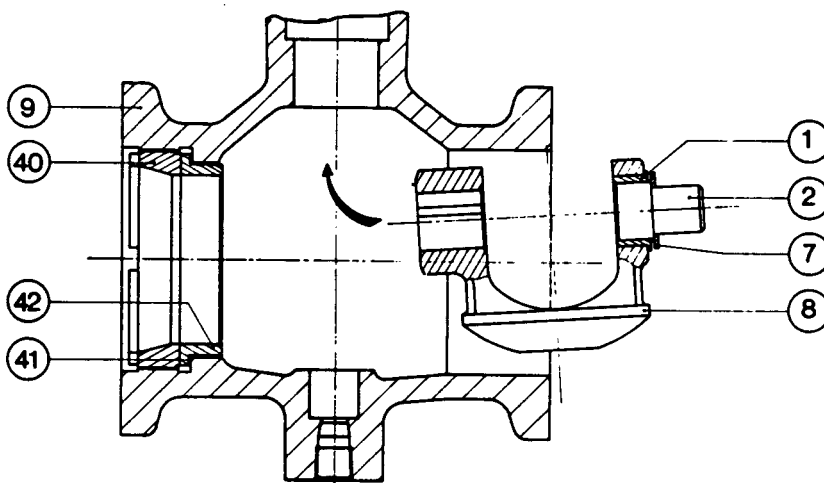
*Maxflo NT Technical Manual*



**Fig. 3**



**Fig. 4**



**Fig. 5**

*Maxflo NT Technical Manual*

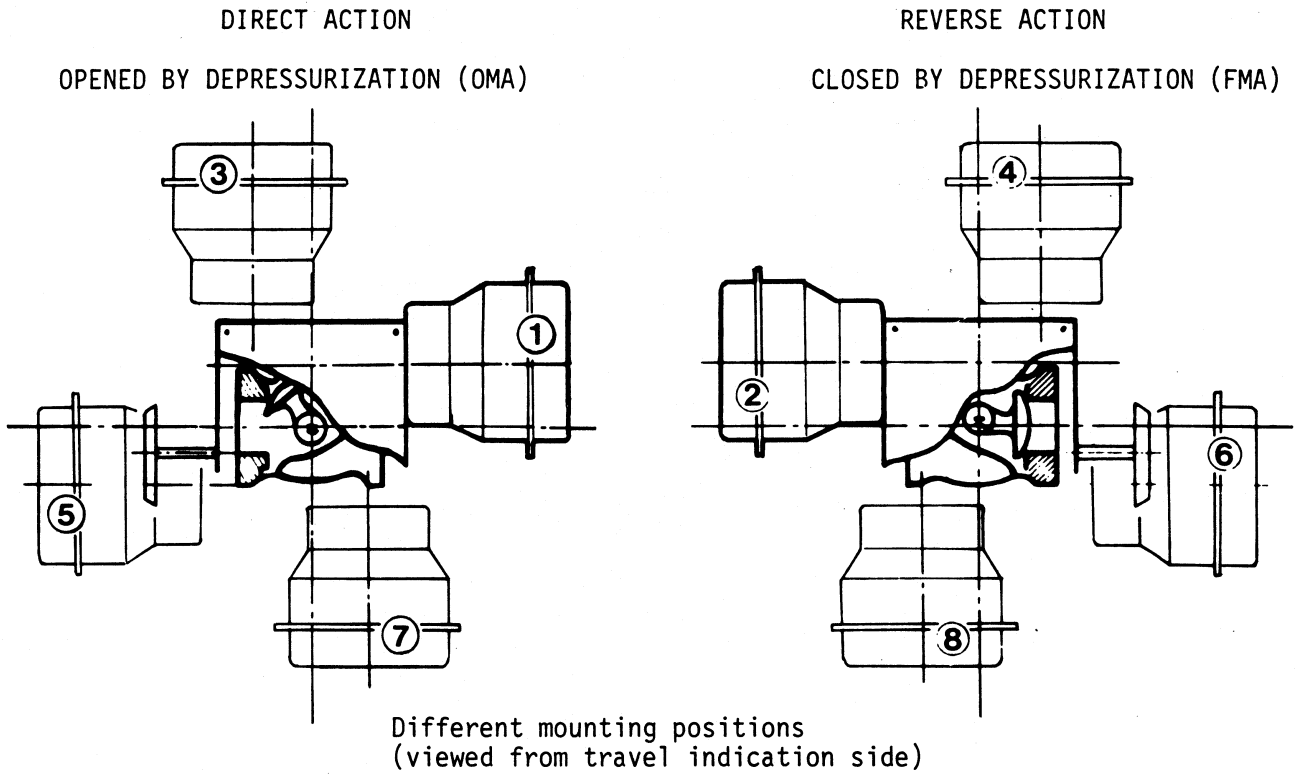


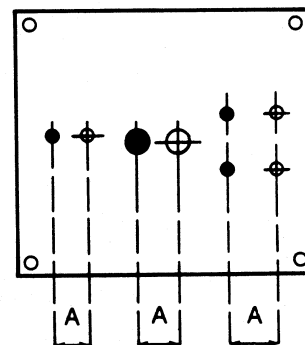
Fig. 6



Fig. 7

N° OC		ITEM	
REP			
Tag			
SERIE	CODE	DIA NOM	
Serial	Code	Norm Dia	
MATIERE CORPS	RACCORD		
Body material	Connection		
MATIERE EQUIP			
Trim material			
EQUIPEMENT	L = %	MOD	Cv
Trim			
GARNITURE	SERVO MOTEUR		C
Packing	Actuator		
L' AIR	ECH SM		
Air to	Act range		
ALIMENTATION			
Supply			
Cv/SIGNAL AVEC POSIT	L = %	MOD	CAME
Cv/Signal with post			Cam
Made in FRANCE			

Fig. 8



Drilling for 80° rotation A = 10,4 mm

Fig. 9

Flowserve Corporation has established industry leadership in the design and manufacture of its products. When properly selected, this Flowserve product is designed to perform its intended function safely during its useful life. However, the purchaser or user of Flowserve products should be aware that Flowserve products might be used in numerous applications under a wide variety of industrial service conditions. Although Flowserve can (and often does) provide general guidelines, it cannot provide specific data and warnings for all possible applications. The purchaser/user must therefore assume the ultimate responsibility for the proper sizing and selection, installation, operation and maintenance of Flowserve products. The purchaser/user should read and understand the Installation Operation Maintenance (IOM) instructions included with the product, and train its employees and contractors in the safe use of Flowserve products in connection with the specific application.

While the information and specifications presented in this literature are believed to be accurate, they are supplied for informative purposes only and should not be considered certified or as a guarantee of satisfactory results by reliance thereon. Nothing contained herein is to be construed as a warranty or guarantee, express or implied, regarding any matter with respect to this product. Because Flowserve is continually improving and upgrading its product design, the specifications, dimensions and information contained herein are subject to change without notice. Should any question arise concerning these provisions, the purchaser/user should contact Flowserve Corporation at any of its worldwide operations or offices.



For more information about Flowserve and its products,  
contact [www.flowserve.com](http://www.flowserve.com) or call +33 160 92 32 51

Headquarters France

Flowserve SAS  
12, av du quebec - BP 645  
91965 Courtaboeuf Cedex France  
Tél : +33 160 92 32 51  
Fax : +33 160 92 32 99

